

EQ POST TOP INSTALLATION INSTRUCTIONS

WARNING AND INSTRUCTIONS

FOR YOUR PROTECTION, YOU MUST CAREFULLY READ ALL WARNINGS AND INSTRUCTIONS IN THEIR ENTIRETY PRIOR TO INSTALLATION, OPERATION, SERVICE OR MAINTENANCE. FAILURE TO DO SO CAN RESULT IN DEATH, PERSONAL INJURY AND PROPERTY DAMAGE.

Installation, service and maintenance of luminaires must be performed by a qualified professional and in accordance with all federal, state and local laws, regulations and electrical codes. This professional should be familiar with the construction and operation of this product and any hazards involved. If not qualified, do not attempt installation, service or maintenance.

To reduce the risk of death, personal injury or property damage from fire, electric shock, falling parts, cuts, abrasions and other hazards, please read all warnings and instructions included with the luminaire, on the luminaire's packaging and affixed to the luminaire itself.

Maintenance of the luminaires should be performed by person(s) familiar with the luminaire's construction and operation and any hazards involved.

WARNING: RISK OF FIRE, ELECTRIC SHOCK OR PERSONAL INJURY

Disconnect or turn off power before attempting any installation, service or maintenance. Verify that supply voltage is correct by referencing the luminaire label information. Make all electrical and ground connections in accordance with the National Electrical Code (NEC) and any other applicable laws, regulations or codes. All wiring connections should be capped with UL-approved wire connectors.

ENSURE ELECTRICAL SUPPLY IS SWITCHED OFF BEFORE STARTING FIXTURE

INSTALLATION GUIDE APPLICABLE TO:

EQ121/122/123/111/112/113 POST TOP MOUNT APPLICATIONS

1. Remove the OUTER SPLICE COVER PLATE with flat head screw driver. The cover plate will lift up as it is seated in place by a magnet. Remove the 6-32 x 0.500 FLAT HEAD PHILLIPS SCREWS attached to INNER SPLICE COVER PLATE to access to the wiring compartment.

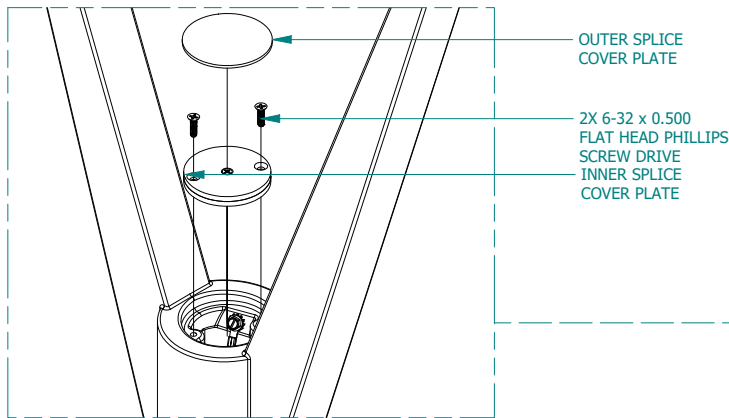


FIGURE 1

2. Establish wiring connections from the incoming line to the luminaire. (BLACK to LINE VOLTAGE; WHITE to NEUTRAL; GREEN to GROUND)

Additionally, wire PURPLE and GRAY dimming leads to incoming dimming leads, if available. If dimming leads are unused, wires must be **individually** capped off. Ensure PURPLE and GRAY dimming leads are not tied together.

INCOMING POWER	LUMINAIRE
● LINE VOLTAGE - BLACK	●
● NEUTRAL - WHITE	●
● GREEN (GROUND)	●
● PURPLE (DIM+)	●
● GRAY (DIM-)	●

NOTE: PURPLE AND GRAY DIMMING LEADS TO BE CAPPED OFF IF UNUSED

3. Place luminaire onto pole. Use a 9/16" socket with an extension to tighten the flush mount adapter system. Torque down drive screw to 20-25 ft lbs. The flush mount adapter will begin to expand out to the inner walls of the pole, securing the luminaire to the pole.

4. Reinstall INNER and OUTER SPLICE COVER PLATES as detailed in (FIGURE 1); Installation complete; luminaire can be energized.

