

WARNING AND INSTRUCTIONS

FOR YOUR PROTECTION, YOU MUST CAREFULLY READ ALL WARNINGS AND INSTRUCTIONS IN THEIR ENTIRETY PRIOR TO INSTALLATION, OPERATION, SERVICE OR MAINTENANCE. FAILURE TO DO SO CAN RESULT IN DEATH, PERSONAL INJURY AND PROPERTY DAMAGE.

Installation, service and maintenance of luminaires must be performed by a qualified professional and in accordance with all federal, state and local laws, regulations and electrical codes. This professional should be familiar with the construction and operation of this product and any hazards involved. If not qualified, do not attempt installation, service or maintenance.

To reduce the risk of death, personal injury or property damage from fire, electric shock, falling parts, cuts, abrasions and other hazards, please read all warnings and instructions included with the luminaire, on the luminaire's packaging and affixed to the luminaire self.

Maintenance of the luminaires should be performed by person(s) familiar with the luminaire's construction and operation and any hazards involved.

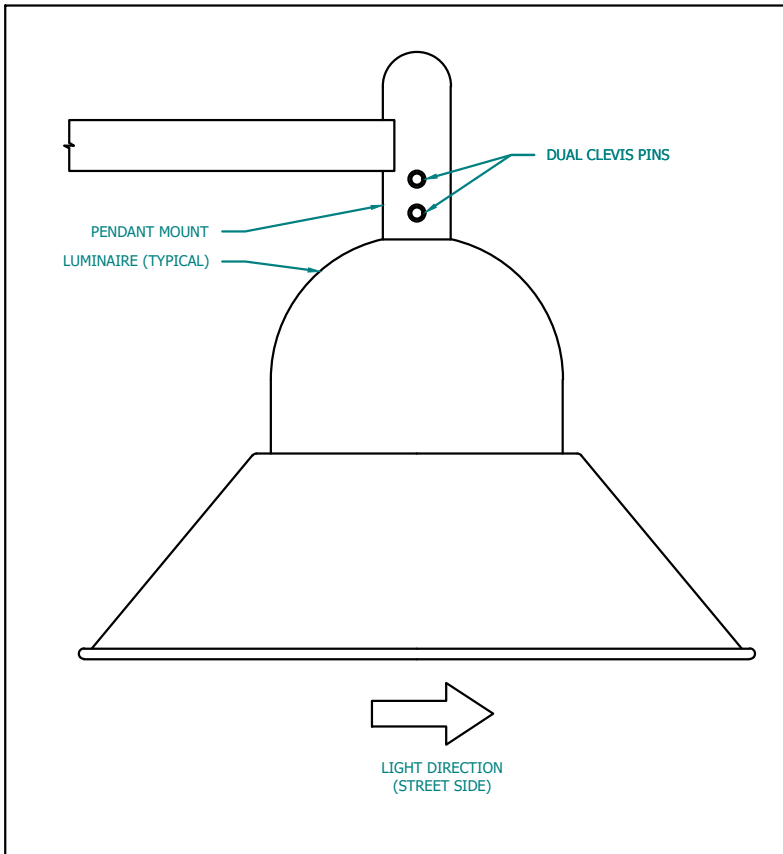
WARNING: RISK OF FIRE, ELECTRIC SHOCK OR PERSONAL INJURY

Disconnect or turn off power before attempting any installation, service or maintenance. Verify that supply voltage is correct by referencing the luminaire label information. Make all electrical and ground connections in accordance with the National Electrical Code (NEC) and any other applicable laws, regulations or codes. All wiring connections should be capped with UL-approved wire connectors.

ENSURE ELECTRICAL SUPPLY IS SWITCHED **OFF** BEFORE WORKING

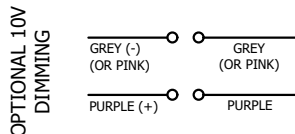
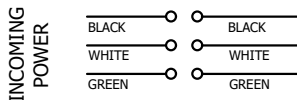
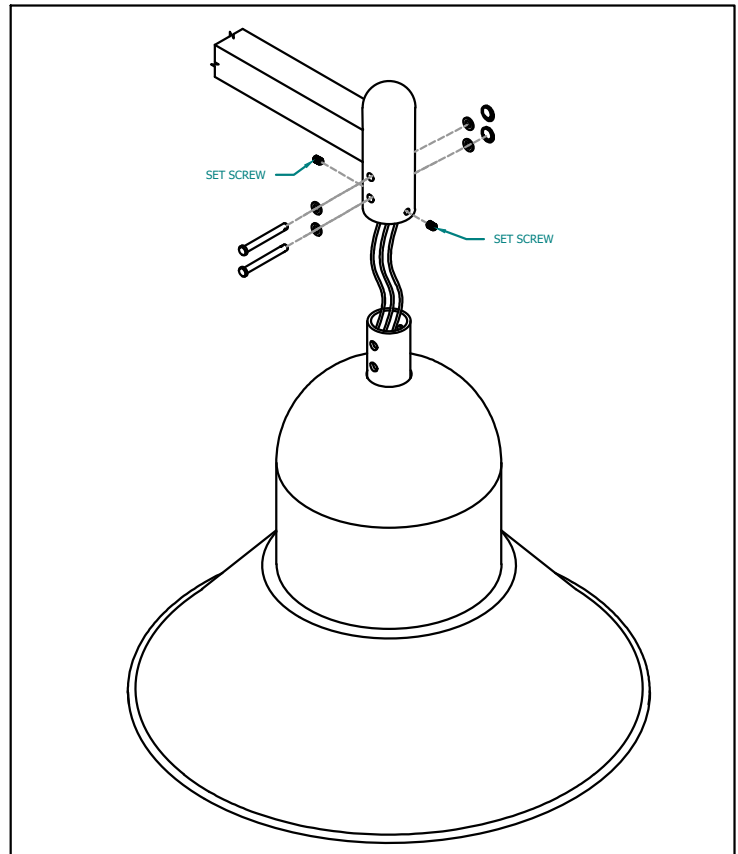
STEP 1:

- NOTE ORIENTATION OF CLEVIS PINS AND LIGHT DIRECTION



STEP 2:

- PENDANTS WITH CLEVIS PINS ARE SHIPPED FULLY ASSEMBLED AND INSTALL WITH NO TOOLS EXCEPT FOR THE (2) SET SCREWS.
- WIRE CONNECTORS TO FIELD WIRES ARE BY OTHERS BUT THE PREFERRED METHOD IS TO PUSH THE CONNECTIONS INSIDE THE LUMINAIRE HEAD.



NOTE: DIMMING LEADS (0-10V): PURPLE (DIM +) AND GRAY (DIM -) LEADS TO BE INDIVIDUALLY CAPPED OFF IF UNUSED; NOT TO BE CONNECTED TOGETHER.

DO NOT CONNECT TO LINE VOLTAGE, AS SERIOUS DAMAGE WILL OCCUR TO COMPONENTS.