



modernism with encompassing details

Madison

Madison

Synonymous with classic design, Madison's effortless elegance starts with a stunning shade profile paired with an industrial trim finish to add a sophisticated touch to restaurants, hotels, shops, and offices. Combine multiple sizes, mountings, arms, and finishes to create a unique and timeless look ... the possibilities are endless.



ANP Lighting



Illuminating
ENGINEERING SOCIETY

Pendants – 2 styles | Wall Mounts – 4 styles



WM905–wall mount



E3110–90° arm



E3410–gooseneck arm



E3510–straight arm



WM906–wall mount



E3112–90° arm



E3412–gooseneck arm



E3512–straight arm



WM907–wall mount



E3114–90° arm



E3414–gooseneck arm



E3514–straight arm



WM908–wall mount



E3116–90° arm



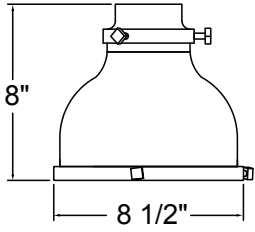
E3416–gooseneck arm



E3516–straight arm

Madison shade sizes with mounting options

MA08-8" Shade



WHC-5W-6' cord



BLC-5W-6' cord

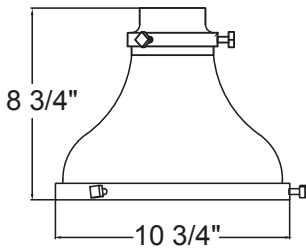


2ST-1/2" stem



3ST-3/4" stem

MA10-10" Shade



WHC-5W-6' cord



BLC-5W-6' cord

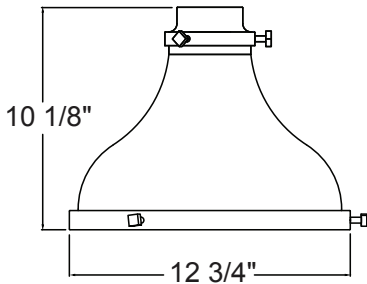


2ST-1/2" stem



3ST-3/4" stem

MA12-12" Shade



WHC-5W-6' cord



BLC-5W-6' cord

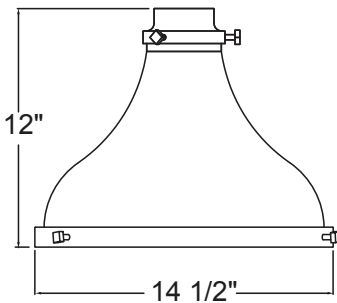


2ST-1/2" stem



3ST-3/4" stem

MA14-14" Shade



WHC-5W-6' cord



BLC-5W-6' cord



2ST-1/2" stem



3ST-3/4" stem

Shade & Light Source

| SHADE SIZE | |
|-------------------------|--|
| MA08 | 8" Shade |
| MA10 | 10" Shade |
| MA12 | 12" Shade |
| MA14 | 14" Shade |
| WATTAGE | |
| GU24 | Socket |
| M009LD | 9-watt Cree® LED module 850 Lumens |
| M010LD | 10-watt Cree LED module 1250 Lumens |
| M012LD | 12-watt Cree LED module 750 Lumens; Integrated drive; Dimming only, narrow distribution only |
| M016LD | 16-watt Cree LED module (12" shade and larger) 2000 Lumens |
| M024LD | 24-watt Cree LED module (14" shade only) 3000 Lumens |
| 200w | Incandescent (All sizes) |
| DIMMING | |
| D | Dimming is standard with 0-10v, TRIAC and ELV protocols (12w is TRIAC only) |
| S | Sunset Dimming (27K only for CCT) |
| DISTRIBUTION | |
| N | Narrow |
| W | Wide |
| COLOR TEMPERATURE (CCT) | |
| 27K | 2700K |
| 30K | 3000K |
| 35K | 3500K |
| 40K | 4000K |
| LENS | |
| CL08 | Clear 8" lens for 8" shade only |
| CL10 | Clear 10" lens for 10" shade only |
| CL12 | Clear 12" lens for 12" shade only |
| CL14 | Clear 14" lens for 14" shade only |
| WH08 | White 8" lens for 8" shade only |
| WH10 | White 10" lens for 10" shade only |
| WH12 | White 12" lens for 12" shade only |
| WH14 | White 14" lens for 14" shade only |
| NL | No lens |
| SHADE FINISH | |
| | Visit ANPlighting.com/resources/color-finishes |

Mounting

| ARM & WALL MOUNTS | |
|--------------------|--|
| 8" Shade size | |
| E3110 | 90° arm |
| E3410 | Gooseneck arm |
| E3510 | Straight arm |
| WM905 | Wall mount |
| 10" Shade size | |
| E3112 | 90° arm |
| E3412 | Gooseneck arm |
| E3512 | Straight arm |
| WM906 | Wall mount |
| 12" Shade size | |
| E3114 | 90° arm |
| E3414 | Gooseneck arm |
| E3514 | Straight arm |
| WM907 | Wall mount |
| 14" Shade size | |
| E3116 | 90° arm |
| E3416 | Gooseneck arm |
| E3516 | Straight arm |
| WM908 | Wall mount |
| CORD & STEM MOUNTS | |
| BLC | 6' Black cord and canopy (Incandescent) |
| WHC | 6' White cord and canopy (Incandescent) |
| BLC-5W | 6' Black cord and canopy (LED) |
| WHC-5W | 6' White cord and canopy (LED) |
| 2ST | 1/2" Stem mount (Includes STC canopy only) |
| 3ST | 3/4" Stem mount (Includes STC canopy only) |
| XXXX-DCC | Color cord: Replace XXXX with color cord designation from next page NOTE: Standard canopy will be replaced with driver ceiling canopy (DCC) |
| TRIM FINISH | |
| | Visit ANPlighting.com/resources/color-finishes |

Product Number Sample

| SHADE | WATTAGE | DIMMING | DISTRIBUTION | COLOR TEMP | MOUNTING | LENS | SHADE FINISH | TRIM FINISH* |
|-------|---------|---------|--------------|------------|----------|------|--------------|--------------|
| MA14 | M024LD | D | W | 40K | E3116 | CL14 | 44 | 41 |

*Includes bottom trim, cap, canopy, hardware & mount, unless specified differently.



Call or visit: 800.548.3227 | ANPlighting.com

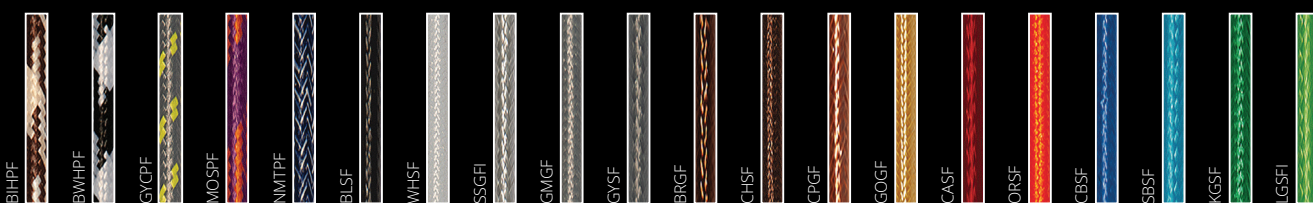
Endless possibilities.

The Madison series is available in a wide array of sizes, mountings, arms, and finishes so you can create the exact mood to complement your design. Proudly made in the U.S.A., these high-quality, spun-aluminum shades are available in a wide range of contemporary and classic color finishes. So go ahead and mix it up ... the possibilities are endless.

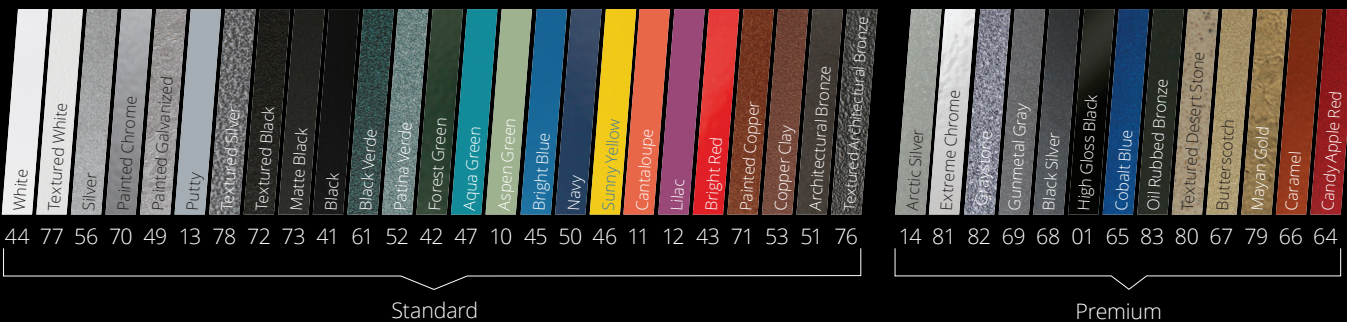


ANP Lighting

Optional Color Cords – Visit ANPLighting.com/content/r/m-metal-shade-lighting/all-accessories-2/color-cords for more details.



Finishes – Visit ANPLighting.com/resources/color-finishes for more details.



Marine Grade finish requires an additional charge, consult factory. Colors shown may differ slightly from painted color.



Contact Us: 800-548-3227 | 909-982-1807
9044 Del Mar Avenue, Montclair, CA 91763

ANPLighting.com