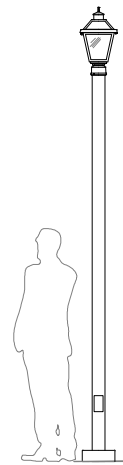
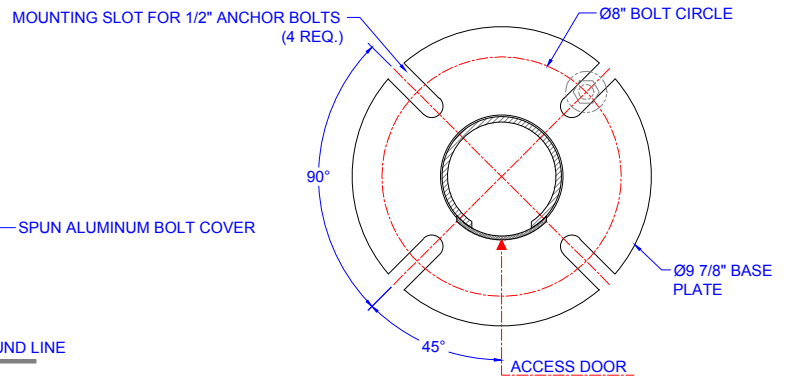


HSSXX PLAN VIEW



PROPORTIONAL VIEW



MOUNTING DETAIL