

**LA4411**  
DECORATIVE LUMINAIRE ASSEMBLY

**PR**  
PRISMATIC LENS

**M021LDNW27K**  
21W CREE LED  
TYPE "V" DISTRIBUTION  
2700K COLOR TEMP

WIRE WAY

1/4-20 S/S SET SCREW  
(3 REQD. EQ. SPCD. @ 120°)

**PA852-2**  
ALUMINUM DECORATIVE DOUBLE  
CROSSARM ASSEMBLY

Ø4 1/8" OD TENON TO HAVE SHIM FOR  
Ø4 5/8" ID WITH 1/8" CLEARANCE

3/8-16 S/S SET SCREW  
(3 REQD. EQ. SPCD. @ 120°)

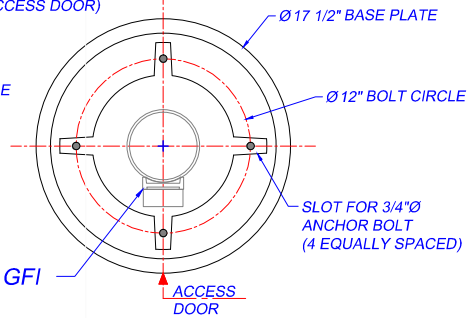
**BANNER ARM-B**  
DECORATIVE BANNER ARM ASSEMBLY  
W/ 2 PIECE DECORATIVE CAST ALUMINUM  
BANNER ARM CLAMP (FIELD ADJUSTABLE)

**5F 12.188**  
5"Ø X .188" ROUND, STRAIGHT, FLUTED  
ALUMINUM POLE

**GFI**  
RECEPTACLE WITH COVER  
(ON SAME SIDE AS ACCESS DOOR)

**CB1504**  
CAST ALUMINUM DECORATIVE BASE

CAST ALUMINUM ACCESS DOOR



**MOUNTING DETAIL**

**PROPORTIONAL VIEW**

31 1/4"

36 5/8"

12'-0"  
TO TOP  
OF  
POLE

1 1/2"

19 1/2"

30"

GROUND  
LINE

3/4" X 18" GALVANIZED STEEL  
ANCHOR BOLT  
(4 REQD.)

CONDUIT BY OTHERS

CONCRETE FOOTING DESIGN  
& PROVIDED BY OTHERS