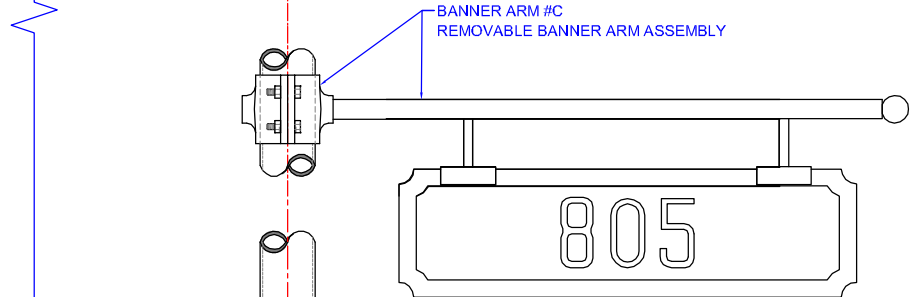
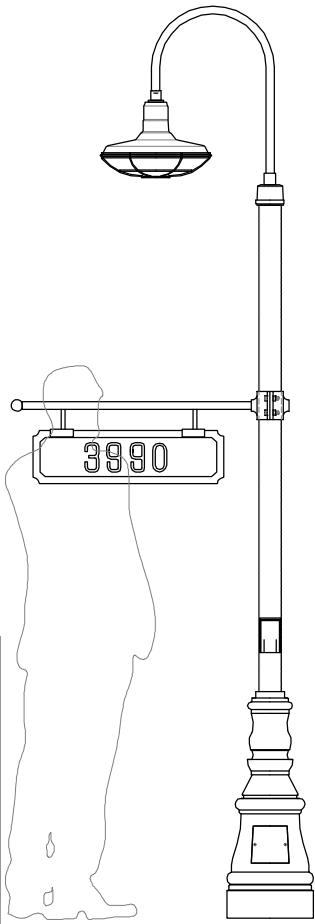
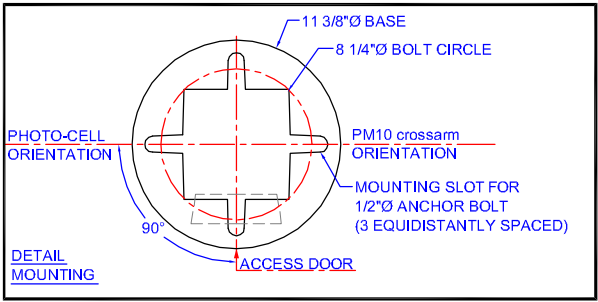
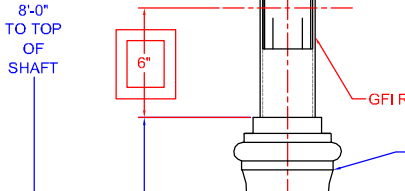


NOTE:
 **PC* PHOTO-CELL IS TO BE INSTALLED IN POLE AS SHOWN.
 *PHOTO-CELL TO BE LOCATED 90° FROM ACCESS DOOR (SEE PLAN VIEW)
 **PM10* IS TO BE LOCATED APPROXIMATELY 180° FROM PHOTO-CELL. (IN ORDER FOR PHOTO-CELL TO WORK PROPERLY).
 [CONTRACTOR IS RESPONSIBLE FOR PROPER POSITIONING OF CROSSARM]



SIGN "A"
 CAST ALUMINUM SIGN
 *805 - LETTERS (QTY.:2)
 *3905 - LETTERS (QTY.:1)
 *3990 - LETTERS (QTY.:1)



PROPORTIONAL VIEW

