

Project: \_\_\_\_\_

Fixture Type: \_\_\_\_\_ Quantity: \_\_\_\_\_

Customer: \_\_\_\_\_

**Specifications**

**Material:**  
All parts are durable 356 cast aluminum. All hardware provided shall be stainless steel or zinc plated steel.

**Lens:**  
Choice of standard polycarbonate lens or no lens.

**Fixture Mounting:**  
Post Mount: Post Cap with set screws.  
Pendant Mount: Pin mount to tenon.  
Fits 3" and 4" poles.

**Drivers:**  
Universal voltage 120-277 is standard. 0-10V dimming is standard for LED platforms and 0-10V, TRIAC and ELV dimming to 1% protocols are standard for LED module.

See page 2 table for LED engine and driver specs, voltage and dimming protocols.



**Electrical:**  
Approximately 12" of pull wire extends from luminaire. Additional pull wire provided for post mount arms and wall mounts.

**Finish:**  
A polyester powder coat high quality finish is electro-statically applied and baked at 430° for exceptional durability and color retention. Products undergo an intensive five-step cleansing and pretreatment process for maximum paint adhesion.

Marine grade finish provides superior salt, humidity and UV protection. This coating withstands up to 3000 hours of continuous salt spray, comes with a 5-year warranty and is available in either a textured or gloss surface.

**Modifications:**  
Consult factory for custom or modified designs.

**LA003 LED**

Weight: 25.0 lbs  
EPA: 1.2

**Catalog Logic**

**LA003** | **1** | **CL** | **P046LD4** | **D** | **T5** | **40K** - **PC** - **PA5651** - **72**

Luminaire Series | Pendant or Post Mount | Lens | Light Source & Wattage | Dimming | Optics | CCT | Accessories | Mounting Source | Finish

**Catalog Number**

1      2      3      4      5      6      7      8      9

**LA003**      **D**      —      —      —

**1 FIXTURE ORIENTATION**

1 Post
3 Pendant

**2 LENS**

NL (No Lens)
CL (Clear Polycarbonate)
FR (Frosted Polycarbonate)
PR (Prismatic Polycarbonate)
SE (Seeded Acrylic)
WH (White Opal Polycarbonate)

**3 LIGHT SOURCE & WATTAGES**

<b>P029LD4</b> (29w Platform; 400ma Driver)
<b>P046LD4</b> (46w Platform; 400ma Driver)
<b>M010LD</b> (10w, 1250 lumen, Cree module)
<b>M016LD</b> (16w, 2000 lumen, Cree module)
<b>M024LD</b> (24w, 3000 lumen, Cree module)

**4 DIMMING**

<b>D</b> (Dimming)
--------------------

See page 2 table for LED engine and driver specs, voltage and dimming protocols.

**5 OPTICS**

Platform	Module
<b>T2</b> (Type II)	<b>W</b> (T5 Wide Distributor with Dome LED Lens)
<b>T3</b> (Type III)	<b>N</b> (T5 Narrow Distributor with Flat LED Lens)
<b>T5</b> (Type V)	

**6 COLOR TEMPERATURE (CCT)**

Platform	Module
<b>27K</b> (2700K)	<b>27K</b> (2700K)
<b>30K</b> (3000K)	<b>30K</b> (3000K)
<b>35K</b> (3500K)	<b>35K</b> (3500K)
<b>40K</b> (4000K)	<b>40K</b> (4000K)

**7 ACCESSORIES**

<b>CHC</b> (Clear Glass Chimney)
<b>CHF</b> (Frosted Glass Chimney)
<b>HSS90</b> (90° House Side Shield, polished)
<b>HSS120</b> (120° House Side Shield, polished)
<b>4ST36</b> (3 Ft, 1 1/4" Ridged Stem & Canopy)
<b>PEND-CH3</b> (3 Ft Pendant Chain & Canopy)
<b>*EMG-LED5</b> (5w, LED Emergency Driver, remote placement, Cree module only)
<b>*EMG-LED7</b> (7w, LED Emergency Driver, remote placement, Cree module only)
<b>*EMG-LED10</b> (10w, LED Emergency Driver, remote placement, Cree module only)
<b>*EMG-LED20HV</b> (20w, High Voltage LED Emergency Driver, remote placement, for use with Platforms and Towers, 78w or less)
<b>HLMSPC-06</b> (High-Low Motion Sensor/Photocell; 15' - 30' Sensor Mounting Height)
<b>HLMSPC-10</b> (High-Low Motion Sensor/Photocell; 8' - 15' Sensor Mounting Height)
<b>PC</b> (Button Photo Cell)
<b>SP</b> (Surge Protector, 10kA & 10kV)
<b>TLPC</b> (Twist Lock photo cell & receptacle)
<b>TL</b> (Twist Lock receptacle only)
<b>TL5</b> (5-pin Twist Lock receptacle)
<b>TL7</b> (7-pin Twist Lock receptacle)

\*For Emergency lumen output data, see Resources section at [www.ANPlighting.com](http://www.ANPlighting.com).

**8 MOUNTING SOURCE**

Post Mount Arms *See Page 3 for Style/Size		Wall Mount Arms *See Page 3 for Style/Size	
<b>PA5151</b>	<b>PA8521</b>	<b>WM3351</b>	<b>WM5601</b>
<b>PA5153</b>	<b>PA8523</b>	<b>WM3353</b>	<b>WM5603</b>
<b>PA5411</b>		<b>WM4511</b>	
<b>PA5413</b>		<b>WM4513</b>	
<b>PA5611</b>		<b>WM5131</b>	
<b>PA5613</b>		<b>WM5133</b>	
<b>PA5651</b>		<b>WM5161</b>	
<b>PA5653</b>		<b>WM5163</b>	
<b>PA8031</b>		<b>WM5311</b>	
<b>PA8033</b>		<b>WM5313</b>	
Column Mount *See Page 3 for Style/Size			
<b>CM</b>	Column Mount		

**9 FINISHES**

Standard Grade	Marine Grade	Standard Grade	Marine Grade
<b>40</b>	<b>NA</b> Raw Unfinished	<b>53</b>	<b>100</b> Copper Clay
<b>41</b>	<b>101</b> Black	<b>56</b>	<b>109</b> Silver
<b>42</b>	<b>102</b> Forest Green	<b>61</b>	<b>106</b> Black Verde
<b>43</b>	<b>114</b> Bright Red	<b>70</b>	<b>118</b> Painted Chrome
<b>44</b>	<b>107</b> White	<b>71</b>	<b>105</b> Painted Copper
<b>45</b>	<b>112</b> Bright Blue	<b>72</b>	<b>108</b> Textured Black
<b>46</b>	<b>123</b> Sunny Yellow	<b>73</b>	<b>125</b> Matte Black Textured Architectural Bronze
<b>47</b>	<b>120</b> Aqua Green	<b>76</b>	<b>121</b> Textured Architectural Bronze
<b>49</b>	<b>NA</b> Galvanized	<b>77</b>	<b>127</b> Textured White
<b>50</b>	<b>111</b> Navy	<b>78</b>	<b>124</b> Textured Silver
<b>51</b>	<b>103</b> Architectural Bronze	<b>10</b>	<b>130</b> Aspen Green
<b>52</b>	<b>104</b> Patina Verde	<b>11</b>	<b>131</b> Cantaloupe
<b>12</b>	<b>133</b> Lilac	<b>13</b>	<b>132</b> Putty

Consult factory for additional paint charges and availability

Project: \_\_\_\_\_  
 Fixture Type: \_\_\_\_\_ Quantity: \_\_\_\_\_  
 Customer: \_\_\_\_\_



**LED PERFORMANCE**

MODULE				
LED Wattage	CCT	Typical Luminous Flux	System Wattage	Typical Efficacy
10W	2700K	1250	12W	125
	3000K	1250	12W	125
	3500K	1250	12W	125
	4000K	1250	12W	125
16W	2700K	2000	19W	125
	3000K	2000	19W	125
	3500K	2000	19W	125
	4000K	2000	19W	125
24W	2700K	3000	28W	125
	3000K	3000	28W	125
	3500K	3000	28W	125
	4000K	3000	28W	125

PLATFORM				
LED Wattage	CCT	Typical Luminous Flux	System Wattage	Typical Efficacy
29W	2700K	2700	30W	90
	3500K	2700	30W	90
	4000K	3600	30W	120
	5000K	3600	30W	120
	2700K	3450	46W	80
46W	3500K	3910	46W	85
	4000K	5014	46W	109
	5000K	5290	46W	115

**MODULE SPECIFICATION**

- Efficacy 65-125 lumens per watt
- Life: L70 50,000 hours
- Color temp: 2700K,3000K,3500K and 4000K
- CRI: >90

**MODULE DRIVER SPECIFICATION**

- Input Voltage: 120-277 Volts; 50/60Hz
- Dimmable down to 1%
- 0-10V, TRIAC and ELV dimming protocols are standard.
- Output Current: Constant Current: 440mA to 940mA (model dependent)
- Driver Efficiency > 80%; Power Factor > 0.9
- Integral Surge Protection in conformance to ANSI C62.41 Category A

**MODULE LISTINGS**

- Fully compliant with the RoHS Directive
- Certifications: CE/UL

**PLATFORM SPECIFICATION:**

- Efficacy ranges from 80-116 lumens per watt
- Customized lens precisely directs the light
- Operating temperature of -30C to 55C
- Life: L70 is 60,000 hours
- CCT: 2700K, 3000K,3500K, and 4000K
- CRI: >70
- Parallel circuitry ensures consistent light output in the event of single LED failure

**PLATFORM DRIVER SPECIFICATION:**

- Operates at 400mA
- Dimmable down to 10%
- Built in surge protection
- Constant current output 50/60HZ
- Driver Efficiency > 90% power factor above 99%
- 120 – 277 volts
- 0-10V dimming protocol is standard

**PLATFORM LISTINGS**

- Fully compliant with the RoHS Directive
- Certifications: ETL
- Rated IP65 with an optional IP66 rating

**WARRANTY**

See [www.ANPlighting.com](http://www.ANPlighting.com) for complete fixture warranty.

- 5 year limited warranty on Modules/Drivers
- 7 year limited warranty\* on Platform LED engines
- 5 year limited warranty\* on Platform Drivers

\*Limited Warranty: A typical year is defined as 4380 hours of operation. Failure defined as more than 10% of the total platform LED's not operating.

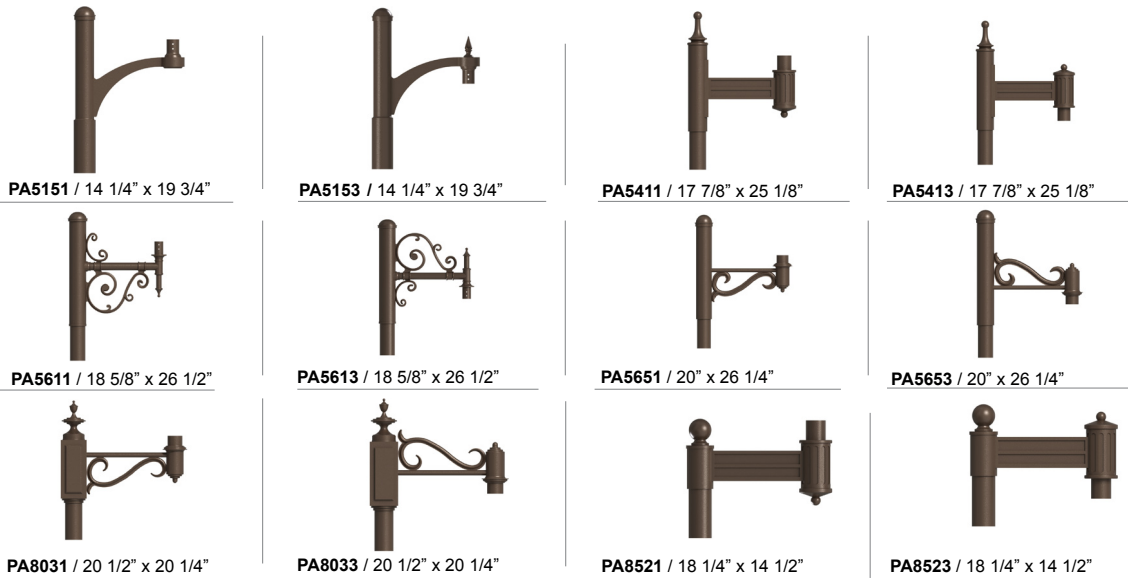
Project: \_\_\_\_\_

Fixture Type: \_\_\_\_\_ Quantity: \_\_\_\_\_

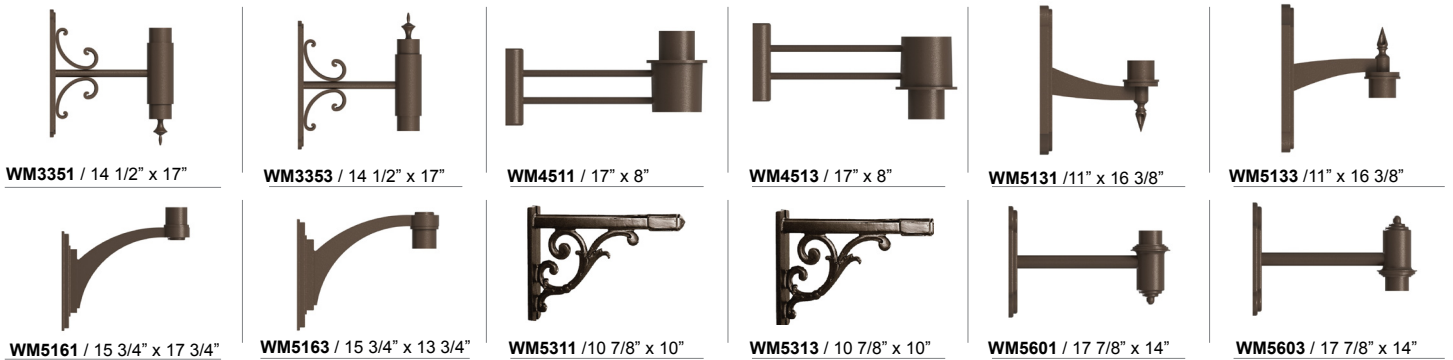
Customer: \_\_\_\_\_

**POST MOUNTS** - See Post Arm Section on Website for Specification Sheets and additional post arms.  
Dimensions are Projection x Height

**COLUMN MOUNT**



**WALL MOUNTS** - See Wall Mount Section on Website for Specification Sheets and additional wall mount arms.  
Dimensions are Projection x Height.



**ACCESSORIES**

