

Project: \_\_\_\_\_

Fixture Type: \_\_\_\_\_ Quantity: \_\_\_\_\_

Customer: \_\_\_\_\_

**Specifications**

**Material:**  
All parts are durable 356 cast aluminum. All hardware provided shall be stainless steel or zinc plated steel.

**Lens:**  
Choice of standard polycarbonate lens or no lens.

**Fixture Mounting:**  
Post Mount: Post Cap with set screws.  
Pendant Mount: Pin mount to tenon.  
Fits 3" and 4" poles.

**Drivers:**  
Universal voltage 120-277 is standard. 0-10V dimming is standard for LED platforms. 0-10V, TRIAC and ELV dimming to 1% protocols are standard for LED module.

See page 2 table for LED engine and driver specs, voltage and dimming protocols.



**Electrical:**  
Approximately 12" of pull wire extends from luminaire. Additional pull wire provided for post mount arms and wall mounts.

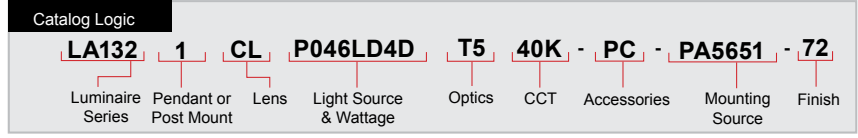
**Finish:**  
A polyester powder coat high quality finish is electro-statically applied and baked at 430° for exceptional durability and color retention. Products undergo an intensive five-step cleansing and pretreatment process for maximum paint adhesion.

Marine grade finish provides superior salt, humidity and UV protection. This coating withstands up to 3000 hours of continuous salt spray, comes with a 5-year warranty and is available in either a textured or gloss surface.

**Modifications:**  
Consult factory for custom or modified designs.

**LA132 LED**

**Weight:** 32.5 lbs  
**EPA:** 1.97



1	FIXTURE ORIENTATION
1	Post
3	Pendant

2	LENS
NL	(No Lens)
CL	(Clear Acrylic)
FR	(Frosted Acrylic)
PR	(Prismatic Acrylic)
SE	(Seeded Acrylic)
WH	(White Opal Acrylic)

3	LIGHT SOURCE & WATTAGES
P029LD4D	(29w Platform; 400ma Driver)
P046LD4D	(46w Platform; 400ma Driver)
P078LD4D	(78w Platform; 400ma Driver)
P117LD4D	(117w Platform, 400ma Driver)
M016LDD	(16w, 2000 lumen, Cree module)
M024LDD	(24w, 3000 lumen, Cree module)
M037LDD	(37w, 4000 lumen, Cree module)

4	OPTICS
Platform	Module
T2 (Type II)	W (T5 Wide Distribution with Dome LED Lens)
T3 (Type III)	N (T5 Narrow Distribution with Flat LED Lens)
T5 (Type V)	

5	COLOR TEMPERATURE (CCT)
Platform	Module
27K (2700K)	27K (2700K)
30K (3000K)	30K (3000K)
35K (3500K)	35K (3500K)
40K (4000K)	40K (4000K)

6	ACCESSORIES
CHC	(Clear Glass Chimney)
CHF	(Frosted Glass Chimney)
HSS90	(90° House Side Shield, polished)
HSS120	(120° House Side Shield, polished)
**4ST36	(3 Ft, 1 1/4" Ridged Stem & Canopy)
**PEND-CH3	(3 Ft Pendant Chain & Canopy)
*EMG-LED5	(5w, LED Emergency Driver, remote placement, Cree module only)
*EMG-LED7	(7w, LED Emergency Driver, remote placement, Cree module only)
*EMG-LED10	(10w, LED Emergency Driver, remote placement, Cree module only)
*EMG-LED20HV	(20w, High Voltage LED Emergency Driver, remote placement, for use with Platforms, 78w or less)
HLMSPC-06	(High-Low Motion Sensor/Photocell; 15" - 30" Sensor Mounting Height)
HLMSPC-10	(High-Low Motion Sensor/Photocell; 8" - 15" Sensor Mounting Height)
PC	(Button Photo Cell)
SP	(Surge Protector, 10kA & 10kV)
TLPC	(Twist Lock photo cell, includes receptacle & photo cell)
TL5	(5-pin Twist Lock receptacle)
TL7	(7-pin Twist Lock receptacle)

\*For Emergency lumen output data, see Resources section at [www.ANPlighting.com](http://www.ANPlighting.com).

\*\*Accessory finish will match fixture finish.

7	MOUNTING SOURCE		
Post Mount Arms *See Page 3 for Style/Size	Wall Mount Arms *See Page 3 for Style/Size		
PA5151	PA8521	WM3351	WM5601
PA5153	PA8523	WM3353	WM5603
PA5411		WM4511	
PA5413		WM4513	
PA5611		WM5131	
PA5613		WM5133	
PA5651		WM5161	
PA5653		WM5163	
PA8031		WM5311	
PA8033		WM5313	
Column Mount *See Page 3 for Style/Size			
CM	Column Mount		

8	FINISHES					
	*Premium and Marine Grade Finish have additional charges					
	Standard Colors	Standard Grade	Marine Grade*	Standard Colors	Standard Grade	Marine Grade*
Aspen Green		10	10M	Architectural Bronze	51	51M
Cantaloupe		11	11M	Patina Verde	52	52M
Lilac		12	12M	Copper Clay	53	53M
Putty		13	13M	Silver	56	56M
Raw Unfinished		40	NA	Black Verde	61	61M
Black		41	41M	Painted Chrome	70	70M
Forest Green		42	42M	Painted Copper	71	71M
Bright Red		43	43M	Textured Black	72	72M
White		44	44M	Matte Black	73	73M
Bright Blue		45	45M	Textured Architectural Bronze	76	76M
Sunny Yellow		46	46M	Textured White	77	77M
Aqua Green		47	47M	Textured Silver	78	78M
Galvanized		49	NA	PREMIUM FINISH	Premium Grade*	Marine Grade*
Navy		50	50M	Carbon Graphite	96	96M

Consult Factory for additional paint charges and availability.

Project: \_\_\_\_\_

Fixture Type: \_\_\_\_\_ Quantity: \_\_\_\_\_

Customer: \_\_\_\_\_

**LED PERFORMANCE**

MODULE				
LED Wattage	CCT	Typical Luminous Flux	System Wattage	Typical Efficacy
16W	2700K	2000	19W	125
	3000K	2000	19W	125
	3500K	2000	19W	125
	4000K	2000	19W	125
24W	2700K	3000	28W	125
	3000K	3000	28W	125
	3500K	3000	28W	125
	4000K	3000	28W	125
37W	2700K	4000	43W	108
	3000K	4000	43W	108
	3500K	4000	43W	108
	4000K	4000	43W	108

PLATFORM				
LED Wattage	CCT	Typical Luminous Flux	System Wattage	Typical Efficacy
29W	2700K	2670	30w	89
	3000K	2670	30w	89
	3500K	3209	30w	107
	4000K	3465	30w	116
46W	2700K	4004	46w	87
	3000K	4004	46w	87
	3500K	4814	46w	105
	4000K	5197	46w	115
78W	2700K	7041	80w	88
	3000K	7041	80w	88
	3500K	8464	80w	106
	4000K	9138	80w	114
117W	2700K	10561	120w	88
	3000K	10561	120w	88
	3500K	12696	120w	106
	4000K	13707	120w	114

**PLATFORM SPECIFICATION:**

- Efficacy ranges from 87-116 lumens per watt
- Customized lens precisely directs the light
- Operating temperature of -30C to 55C
- Life: L70 is 60,000 hours
- PLATFORM CCT: 2700K, 3000K, 3500K, and 4000K
- CRI: >70
- Parallel circuitry ensures consistent light output in the event of single LED failure

**PLATFORM DRIVER SPECIFICATION:**

- Operates at 400mA
- Dimmable down to 10%
- Built in surge protection
- Constant current output 50/60HZ
- Driver Efficiency > 90% power factor above 99%
- 120 – 277 volts
- 0-10V dimming protocol is standard

**PLATFORM LISTINGS**

- Fully compliant with the RoHS Directive
- Certifications: ETL
- Rated IP65 with an optional IP66 rating

**MODULE SPECIFICATION:**

- Efficacy 108-125 lumens per watt
- Life: L70 50,000 hours
- Color temp: 2700K, 3000K, 3500K and 4000K
- CRI: >90

**MODULE DRIVER SPECIFICATION:**

- Input Voltage: 120-277 Volts; 50/60Hz
- Dimmable down to 1%
- 0-10V, TRIAC and ELV dimming protocols are standard.
- Output Current: Constant Current; 440mA to 940mA (model dependent)
- Driver Efficiency > 80%; Power Factor > 0.9
- Integral Surge Protection in conformance to ANSI C62.41 Category A.

**MODULE LISTINGS**

- Fully compliant with the RoHS Directive
- Certifications: CE/UL

**WARRANTY**

See [www.ANPlighting.com](http://www.ANPlighting.com) for complete fixture warranty.

- 5 year limited warranty on Modules/Drivers
- 7 year limited warranty\* on Platform LED engines
- 5 year limited warranty\* on Platform Drivers

\*Limited Warranty: A typical year is defined as 4380 hours of operation. Failure defined as more than 10% of the total platform LED's not operating

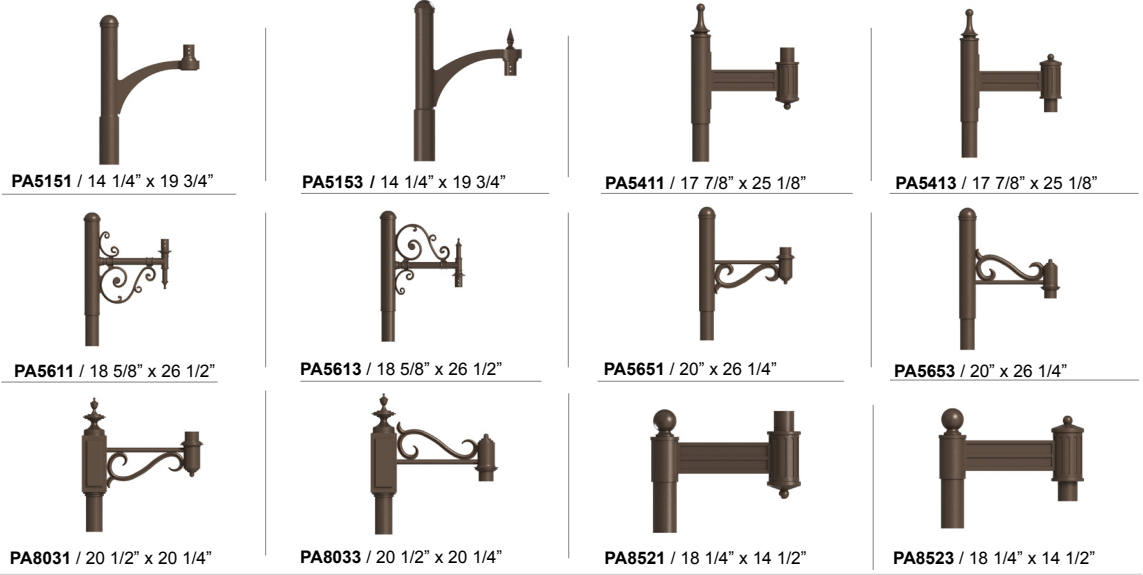
**ACCESSORIES**

 <b>CHC &amp; CHF</b>	 <b>HSS90 &amp; HSS120</b>	 <b>4ST36</b>	 <b>PEND-CH3</b>	 <b>EMG-LED 5, 7 &amp; 10</b>	 <b>HLMSPC-06 &amp; HLMSPC-10</b>
 <b>PC</b>	 <b>TLPC</b>	 <b>TL5 &amp; TL7</b>			

Project: \_\_\_\_\_  
 Fixture Type: \_\_\_\_\_ Quantity: \_\_\_\_\_  
 Customer: \_\_\_\_\_

**POST MOUNTS** - See Post Arm Section on Website for Specification Sheets and additional post arms.  
 Dimensions are Projection x Height

**COLUMN MOUNT**



**CM** / 5 3/4" SQ x 3 1/2" H

**WALL MOUNTS** - See Wall Mount Section on Website for Specification Sheets and additional wall mount arms.  
 Dimensions are Projection x Height.

