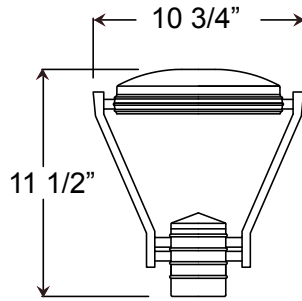


Project: \_\_\_\_\_

Fixture Type: \_\_\_\_\_ Quantity: \_\_\_\_\_

Customer: \_\_\_\_\_



**Specifications**

**Material:**  
All parts are durable 356 cast aluminum. All hardware provided shall be stainless steel or zinc plated steel.

**Fixture Mounting:**  
Post Mount: Post Cap with set screws. Fits 3" poles.

**Drivers:**  
Universal voltage 120-277 is standard. 0-10V, TRIAC and ELV dimming to 1% protocols are standard for LED modules.

See page 2 table for LED engine and driver specs, voltage and dimming protocols.

**Electrical:**  
Approximately 12" of pull wire extends from luminaire. Additional pull wire provided for post mount arms and wall mounts.



**Finish:**  
A polyester powder coat high quality finish is electro-statically applied and baked at 430° for exceptional durability and color retention. Products undergo an intensive five-step cleansing and pretreatment process for maximum paint adhesion.

Marine grade finish provides superior salt, humidity and UV protection. This coating withstands up to 3000 hours of continuous salt spray, comes with a 5-year warranty and is available in either a textured or gloss surface.

**Modifications:**  
Consult factory for custom or modified designs.

**LA230  
LED**

**Weight:** 17.0 lbs  
**EPA:** 0.2

**Catalog Logic**

LA230 | 1 | M010LD | D | T5 | 40K - PC - PA5651 - 72

Luminaire Series | Pendant or Post Mount | Light Source & Wattage | Dimming | Optics | CCT | Accessories | Mounting Source | Finish

Catalog Number	1	2	3	4	5	6	7	8
	LA230	1	D					

**1 FIXTURE ORIENTATION**

1 Post
--------

**2 LIGHT SOURCE & WATTAGES**

M009LD (9w, 850 lumen, Cree module)
M010LD (10w, 1250 lumen, Cree module)

**3 DIMMING**

D (Dimming)
-------------

See page 2 table for LED engine and driver specs, voltage and dimming protocols.

**4 OPTICS**

W (T5 Wide Distributon with Dome LED Lens)
N (T5 Narrow Distributon with Flat LED Lens)

**5 COLOR TEMPERATURE (CCT)**

27K (2700K)
30K (3000K)
35K (3500K)
40K (4000K)

**6 ACCESSORIES**

HSS90 (90° House Side Shield, polished)
HSS120 (120° House Side Shield, polished)
*EMG-LED06 (6w, LED Emergency Driver, remote placement, Cree module only, <b>Not applicable for 12w LED</b> )
*EMG-LED10 (10w, LED Emergency Driver, remote placement, Cree module only, <b>Not applicable for 12w LED</b> )
HLMSPC-06 (High-Low Motion Sensor/Photocell; 15' - 30' Sensor Mounting Height)
HLMSPC-10 (High-Low Motion Sensor/Photocell; 8' - 15' Sensor Mounting Height)
PC (Button Photo Cell)
SP (Surge Protector, 10kA & 10kV)
TLPC (Twist Lock photo cell & receptacle)
TL (Twist Lock receptacle only)
TL5 (5-pin Twist Lock receptacle only)
TL7 (7-pin Twist Lock receptacle only)

\*For Emergency lumen output data, see Resources section at [www.ANPlighting.com](http://www.ANPlighting.com).

**7 MOUNTING SOURCE**

Post Mount Arms *See Page 3 for Style/Size		Wall Mount Arms *See Page 3 for Style/Size	
PA3321	PA8521	WM2141	WM7421
PA5151	PA8571	WM2211	WM8021
PA5411		WM3001	
PA5611		WM3351	
PA5621		WM4511	
PA5651		WM5131	
PA6211		WM5161	
PA6311		WM5311	
PA7911		WM5601	
PA8031		WM5611	
Column Mount *See Page 3 for Style/Size			
CM	Column Mount		

**8 FINISHES**

Standard Grade	Marine Grade	Standard Grade	Marine Grade
40	NA Raw Unfinished	53	100 Copper Clay
41	101 Black	56	109 Silver
42	102 Forest Green	61	106 Black Verde
43	114 Bright Red	70	118 Painted Chrome
44	107 White	71	105 Painted Copper
45	112 Bright Blue	72	108 Textured Black
46	123 Sunny Yellow	73	125 Matte Black
47	120 Aqua Green	76	121 Textured Architectural Bronze
49	NA Galvanized	77	127 Textured White
50	111 Navy	78	124 Textured Silver
51	103 Architectural Bronze	10	130 Aspen Green
52	104 Patina Verde	11	131 Cantaloupe
12	133 Lilac	13	132 Putty

Consult factory for additional paint charges and availability

Project: \_\_\_\_\_  
 Fixture Type: \_\_\_\_\_ Quantity: \_\_\_\_\_  
 Customer: \_\_\_\_\_

**LED PERFORMANCE**

**MODULE**

LED Wattage	CCT	Typical Luminous Flux	System Wattage	Typical Efficacy
9W	2700K	850	11W	97
	3000K	850	11W	97
	3500K	850	11W	97
	4000K	850	11W	97
10W	2700K	1250	12W	125
	3000K	1250	12W	125
	3500K	1250	12W	125
	4000K	1250	12W	125

**MODULE SPECIFICATION**

- Efficacy 65-125 lumens per watt
- Life: L70 50,000 hours
- Color temp: 2700K,3000K,3500K and 4000K
- CRI: >90

**MODULE DRIVER SPECIFICATION**

- Input Voltage: 120-277 Volts; 50/60Hz
- Dimmable down to 1%
- 0-10V, TRIAC and ELV dimming protocols are standard.
- Output Current: Constant Current: 440mA to 940mA (model dependent)
- Driver Efficiency > 80%; Power Factor > 0.9
- Integral Surge Protection in conformance to ANSI C62.41 Category A

**MODULE LISTINGS**

- Fully compliant with the RoHS Directive
- Certifications: CE/UL

**WARRANTY**

See [www.ANPlighting.com](http://www.ANPlighting.com) for complete fixture warranty.

- 5 year limited warranty on Modules/Drivers

\*Limited Warranty: A typical year is defined as 4380 hours of operation.

Project: \_\_\_\_\_

Fixture Type: \_\_\_\_\_ Quantity: \_\_\_\_\_

Customer: \_\_\_\_\_

**POST MOUNTS** - See Post Arm Section on Website for Specification Sheets and additional post arms.  
Dimensions are Projection x Height

**COLUMN MOUNT**



PA3321 / 18" x 14 3/4"



PA5151 / 14 1/4" x 19 3/4"



PA5411 / 17 7/8" x 25 1/8"



PA5611 / 18 5/8" x 26 1/2"



CM / 5 3/4" SQ x 3 1/2" H



PA5621 / 19" x 26 1/4"



PA5651 / 20" x 26 1/4"



PA6211 / 22 3/4" x 26 1/2"



PA6311 / 17" x 23 1/4"



PA7911 / 20" x 20 5/8"



PA8031 / 20 1/2" x 20 1/4"



PA8521 / 18 1/4" x 14 1/2"



PA8571 / 24" x 47"

**WALL MOUNTS** - See Wall Mount Section on Website for Specification Sheets and additional wall mount arms.  
Dimensions are Projection x Height



WM2141 / 18" x 12 3/16"



WM2211 / 15 1/2" x 15 7/8"



WM3001 / 11" x 8 7/8"



WM3351 / 14 1/2" x 17"



WM4511 / 17" x 8"



WM5131 / 11" x 16 3/8"



WM5161 / 15 3/4" x 17 3/4"



WM5311 / 10 7/8" x 10"



WM5601 / 17 7/8" x 14"



WM5611 / 17 5/8" x 22"



WM7421 / 16 3/8" x 15 3/4"



WM8021 / 19 1/4" x 16 3/8"

**ACCESSORIES**



HSS90 & HSS120



EMG-LED



HLMSPC-06 & HLMSPC-10



PC



TLPC



TL



TL5 & TL7