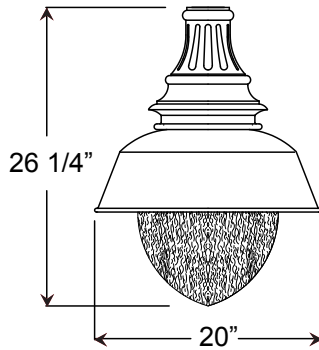


Project: _____

Fixture Type: _____ Quantity: _____

Customer: _____



Specifications

Material:
All parts are durable 356 cast aluminum and high strength aluminum spinnings. All hardware provided shall be stainless steel or zinc plated steel.

Lens:
Clear Stipple Acrylic Globe

Fixture Mounting:
Pendant Mount: Pin mount to tenon.

Drivers:
Universal voltage 120-277 is standard. 0-10V, TRIAC and ELV dimming to 1% protocols are standard for LED modules.

See page 2 table for LED engine and driver specs, voltage and dimming protocols.



Electrical:
Approximately 12" of pull wire extends from luminaire. Additional pull wire provided for post mount arms and wall mounts.

Finish:
A polyester powder coat high quality finish is electro-statically applied and baked at 430° for exceptional durability and color retention. Products undergo an intensive five-step cleansing and pretreatment process for maximum paint adhesion.

Marine grade finish provides superior salt, humidity and UV protection. This coating withstands up to 3000 hours of continuous salt spray, comes with a 5-year warranty and is available in either a textured or gloss surface.

Modifications:
Consult factory for custom or modified designs.

**LA404
LED**

Weight: 28.0 lbs
EPA: 1.11

Catalog Logic

LA404 3 CLST M037LD D W 40K - PC - PA5653 - 72

Luminaire Series Pendant or Post Mount Lens Light Source & Wattage Dimming Optics CCT Accessories Mounting Source Finish

Catalog Number	1	2	3	4	5	6	7	8	9
	LA404	3	CLST	D					

1 FIXTURE ORIENTATION

3 Pendant

2 LENS

CLST (Clear Stipple Acrylic)

3 LIGHT SOURCE & WATTAGES

M016LD (16w, 2000 lumen, Cree module)
M024LD (24w, 3000 lumen, Cree module)
M037LD (37w, 4000 lumen, Cree module)

4 DIMMING

D (Dimming)

See page 2 table for LED engine and driver specs, voltage and dimming protocols.

5 OPTICS

W (T5 Wide Distributon with Dome LED Lens)
N (T5 Narrow Distributon with Flat LED Lens)

6 COLOR TEMPERATURE (CCT)

27K (2700K)
30K (3000K)
35K (3500K)
40K (4000K)

7 ACCESSORIES

HSS90 (90° House Side Shield, polished)
HSS120 (120° House Side Shield, polished)
4ST36 (3 Ft, 1 1/4" Ridged Stem & Canopy)
PEND-CH3 (3 Ft Pendant Chain & Canopy)
*EMG-LED5 (5w, LED Emergency Driver, remote placement, Cree module only)
*EMG-LED7 (7w, LED Emergency Driver, remote placement, Cree module only)
*EMG-LED10 (10w, LED Emergency Driver, remote placement, Cree module only)
HLMSPC-06 (High-Low Motion Sensor/Photocell; 15' - 30' Sensor Mounting Height)
HLMSPC-10 (High-Low Motion Sensor/Photocell; 8' - 15' Sensor Mounting Height)
PC (Button Photo Cell)
SP (Surge Protector, 10kA & 10kV)
TLPC (Twist Lock photo cell & receptacle)
TL (Twist Lock receptacle only)
TL5 (5-pin Twist Lock receptacle only)
TL7 (7-pin Twist Lock receptacle only)

*For Emergency lumen output data, see Resources section at www.ANPlighting.com.

8 MOUNTING SOURCE

Post Mount Arms *See Page 3 for Style/Size		Wall Mount Arms *See Page 3 for Style/Size	
PA1613	PA8033	WM1613	WM5603
PA1753	PA8443	WM1763	WM8583
PA2023		WM2313	
PA2313		WM3003	
PA3013		WM3203	
PA3113		WM3553	
PA3593		WM4513	
PA5153		WM5133	
PA5613		WM5163	
PA5653		WM5313	

Column Mount *See Page 3 for Style/Size	
CM	Column Mount

9 FINISHES

Standard Grade	Marine Grade	Standard Grade	Marine Grade
40	NA Raw Unfinished	53	100 Copper Clay
41	101 Black	56	109 Silver
42	102 Forest Green	61	106 Black Verde
43	114 Bright Red	70	118 Painted Chrome
44	107 White	71	105 Painted Copper
45	112 Bright Blue	72	108 Textured Black
46	123 Sunny Yellow	73	125 Matte Black
47	120 Aqua Green	76	121 Textured Architectural Bronze
49	NA Galvanized	77	127 Textured White
50	111 Navy	78	124 Textured Silver
51	103 Architectural Bronze	10	130 Aspen Green
52	104 Patina Verde	11	131 Cantaloupe
12	133 Lilac	13	132 Putty

Consult factory for additional paint charges and availability

Project: _____
 Fixture Type: _____ Quantity: _____
 Customer: _____

LED PERFORMANCE				
MODULE				
LED Wattage	CCT	Typical Luminous Flux	System Wattage	Typical Efficacy
16W	2700K	2000	19W	125
	3000K	2000	19W	125
	3500K	2000	19W	125
	4000K	2000	19W	125
24W	2700K	3000	28W	125
	3000K	3000	28W	125
	3500K	3000	28W	125
	4000K	3000	28W	125
37W	2700K	4000	43W	108
	3000K	4000	43W	108
	3500K	4000	43W	108
	4000K	4000	43W	108

MODULE SPECIFICATION
<ul style="list-style-type: none"> • Efficacy 65-125 lumens per watt • Life: L70 50,000 hours • Color temp: 2700K,3000K,3500K and 4000K • CRI: >90

MODULE DRIVER SPECIFICATION
<ul style="list-style-type: none"> • Input Voltage: 120-277 Volts; 50/60Hz • Dimmable down to 1% • 0-10V, TRIAC and ELV dimming protocols are standard. • Output Current: Constant Current: 440mA to 940mA (model dependent) • Driver Efficiency > 80%; Power Factor > 0.9 • Integral Surge Protection in conformance to ANSI C62.41 Category A

MODULE LISTINGS
<ul style="list-style-type: none"> • Fully compliant with the RoHS Directive • Certifications: CE/UL

WARRANTY
<p>See www.ANPlighting.com for complete fixture warranty.</p> <ul style="list-style-type: none"> • 5 year limited warranty on Modules/Drivers <p>*Limited Warranty: A typical year is defined as 4380 hours of operation.</p>

Project: _____

Fixture Type: _____ Quantity: _____

Customer: _____

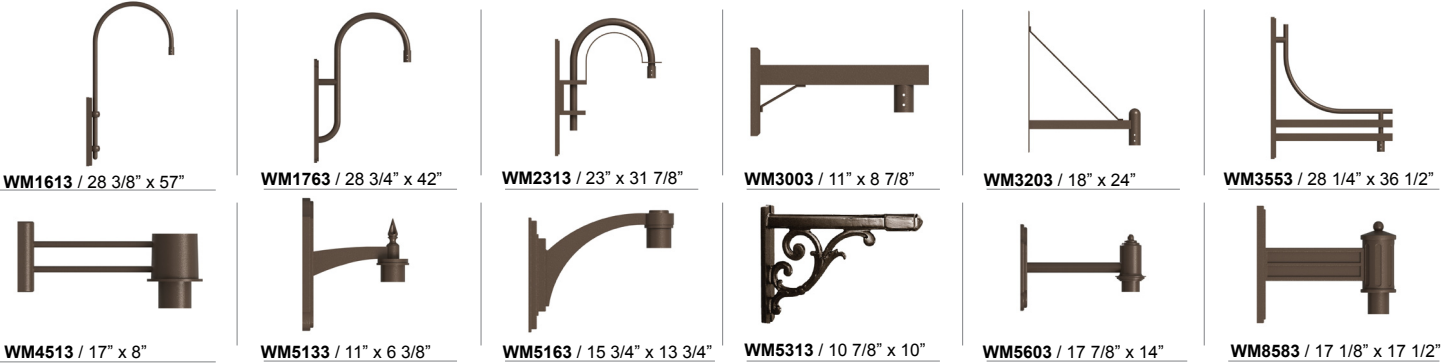
POST MOUNTS - See Post Arm Section on Website for Specification Sheets and additional post arms.
Dimensions are Projection x Height

COLUMN MOUNT



CM / 5 3/4" SQ x 3 1/2" H

WALL MOUNTS - See Wall Mount Section on Website for Specification Sheets and additional wall mount arms.
Dimensions are Projection x Height.



ACCESSORIES

