

Project: _____

Fixture Type: _____ Quantity: _____

Customer: _____

Specifications

Material:
All parts are durable 356 cast aluminum. All hardware provided shall be stainless steel or zinc plated steel.

Lens:
Choice of acrylic lens or no lens

Fixture Mounting:
Post Mount: Post Cap with set screws.
Pendant Mount: Pin mount to tenon. Fits 3" and 4" poles.

Drivers:
Universal voltage 120-277 is standard. 0-10V, TRIAC and ELV dimming to 1% protocols are standard for LED modules.

See page 2 table for LED module and driver specs, voltage and dimming protocols.



Electrical:
Approximately 12" of pull wire extends from luminaire. Additional pull wire provided for post mount arms and wall mounts.

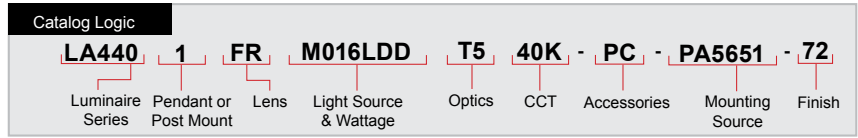
Finish:
A polyester powder coat high quality finish is electro-statically applied and baked at 430° for exceptional durability and color retention. Products undergo an intensive five-step cleansing and pretreatment process for maximum paint adhesion.

Marine grade finish provides superior salt, humidity and UV protection. This coating withstands up to 3000 hours of continuous salt spray, comes with a 5-year warranty and is available in either a textured or gloss surface.

Modifications:
Consult factory for custom or modified designs.

LA440 LED

Weight: 7.7 lbs
EPA: 0.95



Catalog Number	1	2	3	4	5	6	7	8
	LA440							

1	FIXTURE ORIENTATION
1	Post
3	Pendant

2	LENS
NL	(No Lens)
CL	(Clear Acrylic)
FR	(Frosted Acrylic)
PR	(Prismatic Acrylic)
SE	(Seeded Acrylic)
WH	(White Opal Acrylic)

3	LIGHT SOURCE & WATTAGES
M012LDD	(12w, 750 lumen, Cree module) Integral driver, 120V, TRIAC dimming & narrow (Type V) distribution only
M009LDD	(9w, 850 lumen, Cree module)
M010LDD	(10w, 1250 lumen, Cree module)
M016LDD	(16w, 2000 lumen, Cree module)

4	OPTICS
W	(T5 Wide Distribution with Dome LED Lens)
N	(T5 Narrow Distribution with Flat LED Lens)

5	COLOR TEMPERATURE (CCT)
	27K (2700K)
	30K (3000K)
	35K (3500K)
	40K (4000K)

6	ACCESSORIES
CHC	(Clear Glass Chimney)
CHF	(Frosted Glass Chimney)
HSS90	(90° House Side Shield, polished)
HSS120	(120° House Side Shield, polished)
**4ST36	(3 Ft, 1 1/4" Ridged Stem & Canopy)
**PEND-CH3	(3 Ft Pendant Chain & Canopy)
*EMG-LED5	(5w, LED Emergency Driver, remote placement, Cree module only)
*EMG-LED7	(7w, LED Emergency Driver, remote placement, Cree module only)
*EMG-LED10	(10w, LED Emergency Driver, remote placement, Cree module only)
HLMSPC-06	(High-Low Motion Sensor/Photocell; 15" - 30" Sensor Mounting Height)
HLMSPC-10	(High-Low Motion Sensor/Photocell; 8" - 15" Sensor Mounting Height)
PC	(Button Photo Cell)
SP	(Surge Protector, 10kA & 10kV)
TLPC	(Twist Lock photo cell, includes receptacle & photo cell)
TL5	(5-pin Twist Lock receptacle)
TL7	(7-pin Twist Lock receptacle)

***For Emergency lumen output data, see Resources section at www.ANPlighting.com.**

****Accessory finish will match fixture finish.**

7	MOUNTING SOURCE			
	Post Mount Arms *See Page 3 for Style/Size		Wall Mount Arms *See Page 3 for Style/Size	
	PA5151	PA8521	WM3351	WM5601
	PA5153	PA8523	WM3353	WM5603
	PA5411		WM4511	
	PA5413		WM4513	
	PA5611		WM5131	
	PA5613		WM5133	
	PA5651		WM5161	
	PA5653		WM5163	
	PA8031		WM5311	
	PA8033		WM5313	
	Column Mount *See Page 3 for Style/Size			
	CM	Column Mount		

8	FINISHES					
	*Premium and Marine Grade Finish have additional charges					
	Standard Colors	Standard Grade	Marine Grade*	Standard Colors	Standard Grade	Marine Grade*
	Aspen Green	10	10M	Architectural Bronze	51	51M
	Cantaloupe	11	11M	Patina Verde	52	52M
	Lilac	12	12M	Copper Clay	53	53M
	Putty	13	13M	Silver	56	56M
	Raw Unfinished	40	NA	Black Verde	61	61M
	Black	41	41M	Painted Chrome	70	70M
	Forest Green	42	42M	Painted Copper	71	71M
	Bright Red	43	43M	Textured Black	72	72M
	White	44	44M	Matte Black	73	73M
	Bright Blue	45	45M	Textured Architectural Bronze	76	76M
	Sunny Yellow	46	46M	Textured White	77	77M
	Aqua Green	47	47M	Textured Silver	78	78M
	Galvanized	49	NA	PREMIUM FINISH	Premium Grade*	Marine Grade*
	Navy	50	50M	Carbon Graphite	96	96M

Consult Factory for additional paint charges and availability.

Project: _____

Fixture Type: _____ Quantity: _____

Customer: _____

LED PERFORMANCE

MODULE

LED Wattage	CCT	Typical Luminous Flux	System Wattage	Typical Efficacy
9W	2700K	850	11W	97
	3000K	850	11W	97
	3500K	850	11W	97
	4000K	850	11W	97
10W	2700K	1250	12W	125
	3000K	1250	12W	125
	3500K	1250	12W	125
	4000K	1250	12W	125
12W	2700K	750	12W	65
	3000K	750	12W	65
	3500K	750	12W	65
	4000K	750	12W	65
16W	2700K	2000	19W	125
	3000K	2000	19W	125
	3500K	2000	19W	125
	4000K	2000	19W	125

MODULE SPECIFICATION:

- Efficacy 65-125 lumens per watt
- Life: L70 50,000 hours
- Color temp: 2700K, 3000K, 3500K and 4000K
- CRI: >90

MODULE LISTINGS

- Fully compliant with the RoHS Directive
- Certifications: CE/UL

MODULE DRIVER SPECIFICATION:

- Input Voltage: 120-277 Volts; 50/60Hz
- Dimmable down to 1%
- 0-10V, TRIAC and ELV dimming protocols are standard.
- Output Current: Constant Current; 440mA to 940mA (model dependent)
- Driver Efficiency > 80%; Power Factor > 0.9
- Integral Surge Protection in conformance to ANSI C62.41 Category A.

WARRANTY

See www.ANPlighting.com for complete fixture warranty.

LED warranty information

- 5 year limited warranty*

*Limited Warranty: A typical year is defined as 4380 hours of operation

ACCESSORIES



CHC & CHF



HSS90 & HSS120



4ST36



PEND-CH3



EMG-LED5, 7 & 10



HLMSPC-06 & HLMSPC-10



PC



TLPC

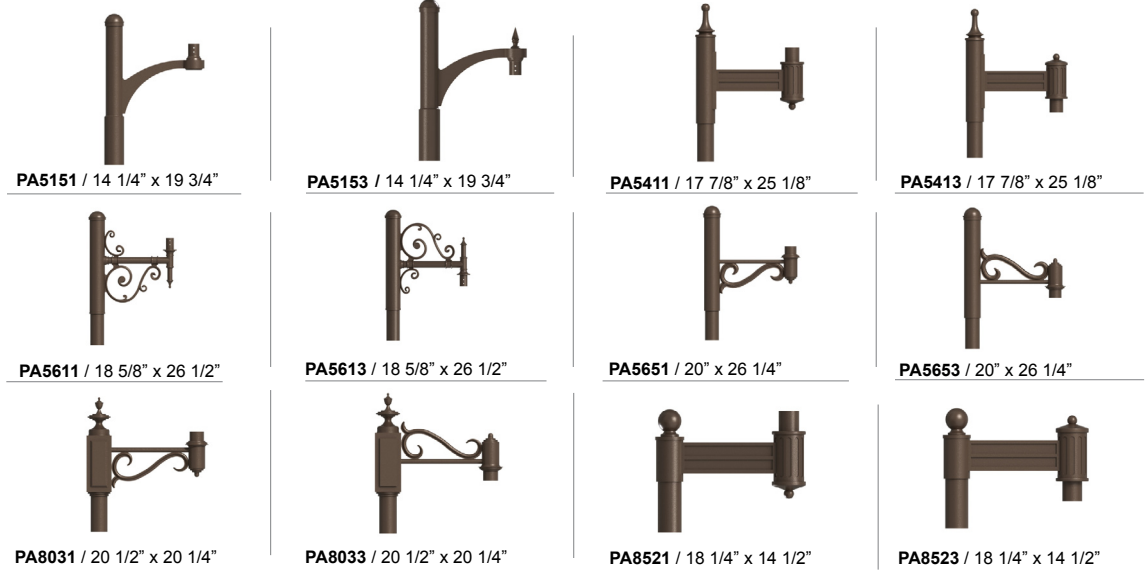


TL5 & TL7

Project: _____
 Fixture Type: _____ Quantity: _____
 Customer: _____

POST MOUNTS - See Post Arm Section on Website for Specification Sheets and additional post arms.
 Dimensions are Projection x Height

COLUMN MOUNT



CM / 5 3/4" SQ x 3 1/2" H

WALL MOUNTS - See Wall Mount Section on Website for Specification Sheets and additional wall mount arms.
 Dimensions are Projection x Height.

