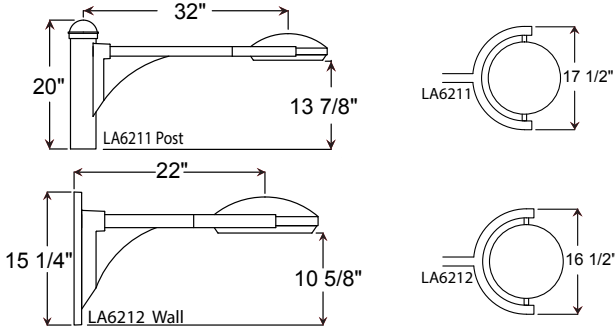


Project: _____
 Fixture Type: _____ Quantity: _____
 Customer: _____



Specifications

Material:
 All parts are durable 356 cast aluminum; high strength extruded and spun aluminum. All hardware provided shall be stainless steel or zinc plated steel.

Fixture Mounting:
 Post Mount: Fits 3" and 4" poles.
 Wall Mount Option available

Drivers:
 Universal voltage 120-277 is standard. 0-10V dimming is standard for LED platforms and 0-10V, TRIAC and ELV dimming to 1% protocols are standard for LED modules.

See page 2 table for LED engine and driver specs, voltage and dimming protocols.



Electrical:
 Approximately 12" of pull wire extends from luminaire. Additional pull wire provided for post mount arms and wall mounts.

Finish:
 A polyester powder coat high quality finish is electro-statically applied and baked at 430° for exceptional durability and color retention. Products undergo an intensive five-step cleansing and pretreatment process for maximum paint adhesion.

Marine grade finish provides superior salt, humidity and UV protection. This coating withstands up to 3000 hours of continuous salt spray, comes with a 5-year warranty and is available in either a textured or gloss surface.

Modifications:
 Consult factory for custom or modified designs.

LA621 LED
 Weight: 25.2 lbs
 EPA: 0.66

Catalog Logic

LA621 (Luminaire Series) - 1 (Post or Wall Mount) - P046LD4 (Light Source & Wattage) - D (Dimming) - T5 (Optics) - 40K (CCT) - PC (Accessories) - 72 (Finish)

Catalog Number	1	2	3	4	5	6	7
	LA621		D				

1 FIXTURE ORIENTATION

1 Post
2 Wall

2 LIGHT SOURCE & WATTAGES

P029LD4 (29w Platform; 400ma Driver)
P046LD4 (46w Platform; 400ma Driver)
M016LD (16w, 2000 lumen, Cree module)

3 DIMMING

D (Dimming)
See page 2 table for LED engine and driver specs, voltage and dimming protocols.

4 OPTICS

Platform	Module
T2 (Type II)	W (T5 Wide Distributon with Dome LED Lens)
T3 (Type III)	N (T5 Narrow Distributon with Flat LED Lens)
T5 (Type V)	

5 COLOR TEMPERATURE (CCT)

Platform	Module
27K (2700K)	27K (2700K)
30K (3000K)	30K (3000K)
35K (3500K)	35K (3500K)
40K (4000K)	40K (4000K)

6 ACCESSORIES

HSS90 (90° House Side Shield, polished)
HSS120 (120° House Side Shield, polished)
*EMG-LED5 (5w, LED Emergency Driver, remote placement, Cree module only)
*EMG-LED7 (7w, LED Emergency Driver, remote placement, Cree module only)
*EMG-LED10 (10w, LED Emergency Driver, remote placement, Cree module only)
*EMG-LED20HV (20w, High Voltage LED Emergency Driver, remote placement, for use with Platforms and Towers, 78w or less)
HLMSPC-06 (High-Low Motion Sensor/Photocell; 15' - 30' Sensor Mounting Height)
HLMSPC-10 (High-Low Motion Sensor/Photocell; 8' - 15' Sensor Mounting Height)
PC (Button Photo Cell)
SP (Surge Protector, 10kA & 10kV)
TLPC (Twist Lock photo cell & receptacle)
TL (Twist Lock receptacle only)
TL5 (5-pin Twist Lock receptacle only)
TL7 (7-pin Twist Lock receptacle only)

*For Emergency lumen output data, see Resources section at www.ANPlighting.com.

7 FINISHES

Standard Grade	Marine Grade	Standard Grade	Marine Grade
40	NA Raw Unfinished	53	100 Copper Clay
41	101 Black	56	109 Silver
42	102 Forest Green	61	106 Black Verde
43	114 Bright Red	70	118 Painted Chrome
44	107 White	71	105 Painted Copper
45	112 Bright Blue	72	108 Textured Black
46	123 Sunny Yellow	73	125 Matte Black Textured Architectural Bronze
47	120 Aqua Green	76	121 Textured White
49	NA Galvanized	77	127 Textured White
50	111 Navy	78	124 Textured Silver
51	103 Architectural Bronze	10	130 Aspen Green
52	104 Patina Verde	11	131 Cantaloupe
12	133 Lilac	13	132 Putty

Consult factory for additional paint charges and availability

Project: _____
 Fixture Type: _____ Quantity: _____
 Customer: _____

LED PERFORMANCE

MODULE				
LED Wattage	CCT	Typical Luminous Flux	System Wattage	Typical Efficacy
16W	2700K	2000	19W	125
	3000K	2000	19W	125
	3500K	2000	19W	125
	4000K	2000	19W	125

PLATFORM				
LED Wattage	CCT	Typical Luminous Flux	System Wattage	Typical Efficacy
29W	2700K	2670	30w	89
	3000K	2670	30w	89
	3500K	3209	30w	107
	4000K	3465	30w	116
46W	2700K	4004	46w	87
	3000K	4004	46w	87
	3500K	4814	46w	105
	4000K	5197	46w	115

MODULE SPECIFICATION

- Efficacy 65-125 lumens per watt
- Life: L70 50,000 hours
- Color temp: 2700K,3000K,3500K and 4000K
- CRI: >90

MODULE DRIVER SPECIFICATION

- Input Voltage: 120-277 Volts; 50/60Hz
- Dimmable down to 1%
- 0-10V, TRIAC and ELV dimming protocols are standard.
- Output Current: Constant Current: 440mA to 940mA (model dependent)
- Driver Efficiency > 80%; Power Factor > 0.9
- Integral Surge Protection in conformance to ANSI C62.41 Category A

MODULE LISTINGS

- Fully compliant with the RoHS Directive
- Certifications: CE/UL

PLATFORM SPECIFICATION:

- Efficacy ranges from 80-116 lumens per watt
- Customized lens precisely directs the light
- Operating temperature of -30C to 55C
- Life: L70 is 60,000 hours
- PLATFORM CCT: 2700K, 3000K,3500K, and 4000K
- TOWER CCT: 4000K
- CRI: >70
- Parallel circuitry ensures consistent light output in the event of single LED failure

PLATFORM DRIVER SPECIFICATION:

- Operates at 400mA
- Dimmable down to 10%
- Built in surge protection
- Constant current output 50/60HZ
- Driver Efficiency > 90% power factor above 99%
- 120 – 277 volts
- 0-10V dimming protocol is standard

PLATFORM LISTINGS

- Fully compliant with the RoHS Directive
- Certifications: ETL
- Rated IP65 with an optional IP66 rating

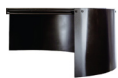
WARRANTY

See www.ANPlighting.com for complete fixture warranty.

- 5 year limited warranty on Modules/Drivers
- 7 year limited warranty* on Platform LED engines
- 5 year limited warranty* on Platform Drivers

*Limited Warranty: A typical year is defined as 4380 hours of operation. Failure defined as more than 10% of the total platform LED's not operating.

ACCESSORIES



HSS90 & HSS120



EMG-LED5, 7, 10 & 20HV



HLMSPC-06 & HLMSPC-10



PC



TLPC



TL



TL5 & TL7