

Project: _____
 Fixture Type: _____ Quantity: _____
 Customer: _____



Specifications

Material:
 All parts are durable 356 cast aluminum; high strength extruded and spun aluminum.
 All hardware provided shall be stainless steel or zinc plated steel.

Fixture Mounting:
 Post Mount: Fits 3" and 4" poles.
 Wall Mount Option available

Drivers:
 Universal voltage 120-277 is standard.
 0-10V dimming is standard for LED platforms and 0-10V, TRIAC and ELV dimming to 1% protocols are standard for LED modules.

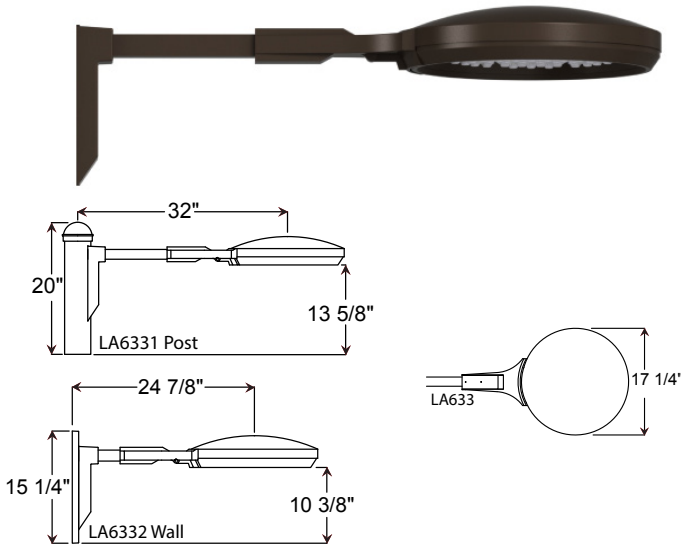
See page 2 table for LED engine and driver specs, voltage and dimming protocols

Electrical:
 Approximately 12" of pull wire extends from luminaire. Additional pull wire provided for post mount arms and wall mounts.

Finish:
 A polyester powder coat high quality finish is electro-statically applied and baked at 430° for exceptional durability and color retention. Products undergo an intensive five-step cleansing and pretreatment process for maximum paint adhesion.

Marine grade finish provides superior salt, humidity and UV protection. This coating withstands up to 3000 hours of continuous salt spray, comes with a 5-year warranty and is available in either a textured or gloss surface.

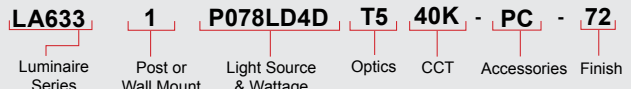
Modifications:
 Consult factory for custom or modified designs.



LA633 LED

Weight: 27.7 lbs
 EPA: 0.83

Catalog Logic



Catalog Number	1	2	3	4	5	6
	LA633					

1 FIXTURE ORIENTATION

1 Post
2 Wall

2 LIGHT SOURCE & WATTAGES

P029LD4D (29w Platform; 400ma Driver)
P046LD4D (46w Platform; 400ma Driver)
P078LD4D (78w Platform; 400ma Driver)
M016LD (16w, 2000 lumen, Cree module)
M024LD (24w, 3000 lumen, Cree module)

3 OPTICS

Platform	Module
T2 (Type II)	W (T5 Wide Distributon with Dome LED Lens)
T3 (Type III)	N (T5 Narrow Distributon with Flat LED Lens)
T5 (Type V)	

4 COLOR TEMPERATURE (CCT)

Platform	Module
27K (2700K)	27K (2700K)
30K (3000K)	30K (3000K)
35K (3500K)	35K (3500K)
40K (4000K)	40K (4000K)

5 ACCESSORIES

HSS90 (90° House Side Shield, polished)
HSS120 (120° House Side Shield, polished)
*EMG-LED20HV (20w, High Voltage LED Emergency Driver, remote placement, for use with Platforms and Towers, 78w or less)
*EMG-LED06 (6w, LED Emergency Driver, remote placement, Cree module only)
*EMG-LED10 (10w, LED Emergency Driver, remote placement, Cree module only)
*EMG-LED16 (16w, LED Emergency Driver, remote placement, Cree module only)
*EMG-LED20 (20w, LED Emergency Driver, remote placement, Cree module only)
HLMSPC-06 (High-Low Motion Sensor/Photocell; 15' - 30' Sensor Mounting Height)
HLMSPC-10 (High-Low Motion Sensor/Photocell; 8' - 15' Sensor Mounting Height)
PC (Button Photo Cell)
SP (Surge Protector, 10kA & 10kV)
TLPC (Twist Lock photo cell & receptacle)
TL (Twist Lock receptacly only)
TL5 (5-pin Twist Lock receptacle only)
TL7 (7-pin Twist Lock receptacle only)

*For Emergency lumen output data, see Technical section at www.ANPLighting.com.

6 FINISHES
 *Marine Grade Finish has an additional charge

Standard Colors	Standard Grade	Marine Grade*	Standard Colors	Premium Grade	Marine Grade*
Aspen Green	10	10M	Navy	50	50M
Cantaloupe	11	11M	Architectural Bronze	51	51M
Lilac	12	12M	Patina Verde	52	52M
Putty	13	13M	Copper Clay	53	53M
Raw Unfinished	40	NA	Silver	56	56M
Black	41	41M	Black Verde	61	61M
Forest Green	42	42M	Painted Chrome	70	70M
Bright Red	43	43M	Painted Copper	71	71M
White	44	44M	Textured Black	72	72M
Bright Blue	45	45M	Matte Black	73	73M
Sunny Yellow	46	46M	Textured Architectural Bronze	76	76M
Aqua Green	47	47M	Textured White	77	77M
Galvanized	49	NA	Textured Silver	78	78M

Consult Factory for additional paint charges and availability.

Project: _____
 Fixture Type: _____ Quantity: _____
 Customer: _____

LED PERFORMANCE

MODULE				
LED Wattage	CCT	Typical Luminous Flux	System Wattage	Typical Efficacy
16W	2700K	2000	19W	125
	3000K	2000	19W	125
	3500K	2000	19W	125
	4000K	2000	19W	125
24W	2700K	3000	28W	125
	3000K	3000	28W	125
	4000K	3000	28W	125

PLATFORM				
LED Wattage	CCT	Typical Luminous Flux	System Wattage	Typical Efficacy
29W	2700K	2670	30w	89
	3000K	2670	30w	89
	3500K	3209	30w	107
	4000K	3465	30w	116
46W	2700K	4004	46w	87
	3000K	4004	46w	87
	3500K	4814	46w	105
78W	4000K	5197	46w	115
	2700K	7041	80w	88
	3000K	7041	80w	88
	3500K	8464	80w	106
	4000K	9138	80w	114

MODULE SPECIFICATION:

- Efficacy 65-125 lumens per watt
- Life: L70 50,000 hours
- Color temp: 2700K, 3000K, 3500K and 4000K
- CRI: >90

MODULE DRIVER SPECIFICATION:

- Input Voltage: 120-277 Volts; 50/60Hz
- Dimmable down to 1%
- 0-10V, TRIAC and ELV dimming protocols are standard.
- Output Current: Constant Current; 440mA to 940mA (model dependent)
- Driver Efficiency > 80%; Power Factor > 0.9
- Integral Surge Protection in conformance to ANSI C62.41 Category A.

MODULE LISTINGS

- Fully compliant with the RoHS Directive
- Certifications: CE/UL

PLATFORM SPECIFICATION

- Efficacy ranges from 80-116 lumens per watt
- Customized lens precisely directs the light
- Operating temperature of -30C to 55C
- Life: L70 is 60,000 hours
- PLATFORM CCT: 2700K, 3000K,3500K, and 4000K
- CRI: >70
- Parallel circuitry ensures consistent light output in the event of single LED failure

PLATFORM DRIVER SPECIFICATION

- Operates at 400mA
- Dimmable down to 10%
- Built in surge protection
- Constant current output 50/60HZ
- Driver Efficiency > 90% power factor above 99%
- 120 – 277 volts
- 0-10V dimming protocol is standard

PLATFORM LISTINGS

- Fully compliant with the RoHS Directive
- Certifications: ETL
- Rated IP65 with an optional IP66 rating

WARRANTY

See www.ANPlighting.com for complete fixture warranty.

- 7 year limited warranty* on Platform & Tower LED engines
- 5 year limited warranty* on Platform & Tower Drivers

*Limited Warranty: A typical year is defined as 4380 hours of operation. Failure defined as more than 10% of the total platform or tower LED's not operating.

ACCESSORIES



HSS90 & HSS120



EMG-LED20HV(Platform)



EMG-LED(Cree)



HLMSPC-06 & HLMSPC-10



PC



TLPC



TL



TL5 & TL7