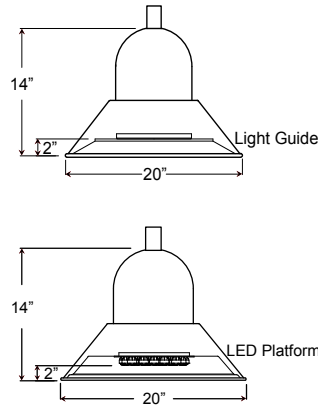


Project: \_\_\_\_\_

Fixture Type: \_\_\_\_\_ Quantity: \_\_\_\_\_

Customer: \_\_\_\_\_



**Specifications**

**Material:**  
All parts are durable 356 cast aluminum and high strength aluminum spinings. All hardware provided shall be stainless steel or zinc plated steel.

**Fixture Mounting:**  
Pendant Mount: Pin mount to tenon. Fits 3" and 4" poles.

**Drivers:**  
Universal voltage 120-277 is standard. 0-10V dimming is standard for LED platforms and Light Guide.

See page 2 for LED engine and driver specifications.



**Electrical:**  
20kA max/10kA nominal surge protection device is standard.

Approximately 12" of pull wire extends from luminaire. Additional pull wire provided for post mount arms and wall mounts.

**Finish:**  
A polyester powder coat high quality finish is electro-statically applied and baked at 430° for exceptional durability and color retention. Products undergo an intensive five-step cleansing and pretreatment process for maximum paint adhesion.

Marine grade finish provides superior salt, humidity and UV protection. This coating withstands up to 3000 hours of continuous salt spray, comes with a 5-year warranty and is available in either a textured or gloss surface.

**Modifications:**  
Consult factory for custom or modified designs.

**BVA2001 - LED**  
Dark Sky Friendly

Weight: 16 lbs  
EPA: 0.92

**Catalog Logic**

**BVA2001** | **P078LD4D** | **T5** | **40K** - **PC** - **PA1613** - **72**

Luminaire Series | Light Source & Wattage | Optic | CCT | Accessories | Mounting Finish

Catalog Number	1	2	3	4	5	6
	<b>BVA2001</b>					

1 LIGHT SOURCE & WATTAGES	
<b>Platform</b>	
P029LD4D	(29w Platform LED)
P046LD4D	(46w Platform LED)
P078LD4D	(78w Platform LED)
P117LD4D	(117w Platform LED)
<b>Light Guide Small</b>	
E030LDS	(30w Light Guide LED)
E040LDS	(40w Light Guide LED)
E050LDS	(50w Light Guide LED)
E065LDS	(65w Light Guide LED)
E080LDS	(80w Light Guide LED)

2 OPTICS	
Platform	Light Guide Small
T2 (Type II)	T2 (Type II) (30w, 40w and 50w Only)
T3 (Type III)	T3 (Type III)
T5 (Type V)	T4 (Type IV) T5 (Type V)

3 COLOR TEMPERATURE (CCT)	
27K	(2700K)
30K	(3000K)
35K	(3500K)
40K	(4000K)

4 ACCESSORIES	
HSS90	(90° House Side Shield, polished)
HSS120	(120° House Side Shield, polished)
**4ST36	(3 Ft, 1 1/4" Ridged Stem & Canopy)
**PEND-CH3	(3 Ft Pendant Chain & Canopy)
*EMG-LED20HV	(20w, High Voltage LED Emergency Driver, remote placement, for use with Platforms and Towers, 78w or less)
HLMSPC-06	(High-Low Motion Sensor/Photocell; 15' - 30' Sensor Mounting Height)
HLMSPC-10	(High-Low Motion Sensor/Photocell; 8' - 15' Sensor Mounting Height)
**PA-BF	(Post Arm Ball Fitter)
**PA-BFS	(Post Arm Ball Fitter w/Swivel)
PC	(Button Photo Cell)
SP	(Surge Protector, 10kA & 10kV)
TLPC	(Twist Lock photo cell, includes receptacle & photo cell)
TL5	(5-pin Twist Lock receptacle)
TL7	(7-pin Twist Lock receptacle)
*For Emergency lumen output data, see Resources section at <a href="http://www.ANPlighting.com">www.ANPlighting.com</a> .	
**Accessory finish will match fixture finish.	

5 MOUNTING SOURCE			
Post Mount Arms		Wall Mount Arms	
*See Page 4 for Style/Size		*See Page 4 for Style/Size	
PA0413	PA6213	WM0413	WM5163
PA1613	PA8453	WM1613	WM5603
PA1753		WM1763	
PA2023		WM1773	
PA2313		WM2313	
PA2613		WM3003	
PA3113		WM3203	
PA3213		WM3553	
PA3533		WM4513	
PA5153		WM5143	
Column Mount			
*See Page 4 for Style/Size			
CM	Column Mount		

6 FINISHES					
*Premium and Marine Grade Finish have additional charges					
Standard Colors	Standard Grade	Marine Grade*	Standard Colors	Standard Grade	Marine Grade*
Aspen Green	10	10M	Architectural Bronze	51	51M
Cantaloupe	11	11M	Patina Verde	52	52M
Lilac	12	12M	Copper Clay	53	53M
Putty	13	13M	Silver	56	56M
Raw Unfinished	40	NA	Black Verde	61	61M
Black	41	41M	Painted Chrome	70	70M
Forest Green	42	42M	Painted Copper	71	71M
Bright Red	43	43M	Textured Black	72	72M
White	44	44M	Matte Black	73	73M
Bright Blue	45	45M	Textured Architectural Bronze	76	76M
Sunny Yellow	46	46M	Textured White	77	77M
Aqua Green	47	47M	Textured Silver	78	78M
Galvanized	49	NA		Premium Grade*	Marine Grade*
Navy	50	50M	Carbon Graphite	96	96M

Consult Factory for additional paint charges and availability.

Project: \_\_\_\_\_  
 Fixture Type: \_\_\_\_\_ Quantity: \_\_\_\_\_  
 Customer: \_\_\_\_\_

**LED PERFORMANCE**

PLATFORM SPECIFICATION
• Efficacy ranges from 87-116 lumens per watt
• Customized lens precisely directs the light
• Operating temperature of -30C to 55C
• Life: L70 is 60,000 hours
• PLATFORM CCT: 2700K, 3000K, 3500K, and 4000K
• TOWER CCT: 4000K
• CRI: >70
• Parallel circuitry ensures consistent light output in the event of single LED failure

PLATFORM DRIVER SPECIFICATION
• Operates at 400mA
• Dimmable down to 10%
• Built in surge protection
• Constant current output 50/60HZ
• Driver Efficiency > 90% power factor above 99%
• 120 – 277 volts
• 0-10V dimming protocol is standard

PLATFORM LISTINGS
• Fully compliant with the RoHS Directive
• Certifications: ETL
• Rated IP65 with an optional IP6 rating

PLATFORM						Type III			Type V		
LED Wattage	CCT	CRI	Typical Luminous Flux	System Wattage	Typical Efficacy	B	U	G	B	U	G
29W	2700K	70	2670	30w	89	-	-	-	-	-	-
	3000K	70	2670	30w	89	-	-	-	-	-	-
	3500K	70	3209	30w	107	-	-	-	-	-	-
	4000K	70	3465	30w	116	1	0	1	2	0	1
46W	2700K	70	4004	46w	87	-	-	-	-	-	-
	3000K	70	4004	46w	87	-	-	-	-	-	-
	3500K	70	4814	46w	105	-	-	-	-	-	-
	4000K	70	5197	46w	115	1	0	1	1	0	1
78W	2700K	70	7041	80w	88	-	-	-	-	-	-
	3000K	70	7041	80w	88	-	-	-	-	-	-
	3500K	70	8464	80w	106	-	-	-	-	-	-
	4000K	70	9138	80w	114	3	0	1	2	0	2
117W	2700K	70	10561	120w	88	-	-	-	-	-	-
	3000K	70	10561	120w	88	-	-	-	-	-	-
	3500K	70	12696	120w	106	-	-	-	-	-	-
	4000K	70	13707	120w	114	3	0	2	4	0	2

LIGHT GUIDE SPECIFICATION
• Typical Efficacy is 101 - 126 lumens per watt
• Color temp: 2700K, 3000K, 3500K and 4000K
• CRI: 70
• Distribution: Type II, III, IV & V

LIGHT GUIDE DRIVER SPECIFICATION		
• 120 thru 277 Universal Voltage	• Drive Current: 900mA to 2505mA (model dependent)	
• 50/60 HZ	• Driver Efficiency > 80%; Power Factor > 0.90	
• 0-10V dimming to 10%	• Lifetime: 50,000 hours	
• Minimum operating temperature: -30°C	• Integral Surge Protection in conformance to IP64	
	• UL, cUL, CE	

**LIGHT GUIDE SMALL**

LED Wattage	CCT	CRI	Type II			Type III			Type IV			Type V			Drive Current				Nominal System
			Delivered Lumens	Lumens Per Watt	B U G	Delivered Lumens	Lumens Per Watt	B U G	Delivered Lumens	Lumens Per Watt	B U G	Delivered Lumens	Lumens Per	B U G	Type II	Type III	Type IV	Type V	
30W	2700K	70	3307	110	1 0 1	3405	114	1 0 1	3474	116	1 0 1	3124	104	2 0 1	900mA	925mA	925mA	925mA	30w
	3000K	70	3211	107	1 0 1	3307	110	1 0 1	3373	112	1 0 1	3034	101	2 0 1	900mA	925mA	925mA	925mA	30w
	3500K	70	3595	120	1 0 1	3702	123	1 0 1	3776	126	1 0 1	3396	113	2 0 1	900mA	925mA	925mA	925mA	30w
	4000K	70	3479	116	1 0 1	3583	119	1 0 1	3655	122	1 0 1	3287	110	2 0 1	900mA	925mA	925mA	925mA	30w
40W	2700K	70	4409	110	2 0 2	4541	114	2 0 2	4631	116	2 0 2	4165	104	2 0 1	1150mA	1200mA	1200mA	1200mA	40w
	3000K	70	4282	107	2 0 2	4409	110	2 0 2	4497	112	2 0 2	4045	101	2 0 1	1150mA	1200mA	1200mA	1200mA	40w
	3500K	70	4793	120	2 0 2	4936	123	2 0 2	5035	126	2 0 2	4528	113	2 0 1	1150mA	1200mA	1200mA	1200mA	40w
	4000K	70	4639	116	2 0 2	4778	119	2 0 2	4873	122	2 0 2	4383	110	2 0 1	1150mA	1200mA	1200mA	1200mA	40w
50W	2700K	70	5492	110	2 0 2	5676	114	2 0 2	5789	116	2 0 2	5207	104	3 0 1	1495mA	1580mA	1580mA	1580mA	50w
	3000K	70	5333	107	2 0 2	5511	110	2 0 2	5622	112	2 0 2	5056	101	3 0 1	1495mA	1580mA	1580mA	1580mA	50w
	3500K	70	5970	120	2 0 2	6170	123	2 0 2	6293	126	2 0 2	5660	113	3 0 1	1495mA	1580mA	1580mA	1580mA	50w
	4000K	70	5778	116	2 0 2	5972	119	2 0 2	6092	122	2 0 2	5479	110	3 0 1	1495mA	1580mA	1580mA	1580mA	50w
65W	2700K	70	-	-	-	7378	114	3 0 3	7526	116	2 0 2	6769	104	3 0 1	-	2065mA	2065mA	2065mA	65w
	3000K	70	-	-	-	7165	110	3 0 3	7308	112	2 0 2	6573	101	3 0 1	-	2065mA	2065mA	2065mA	65w
	3500K	70	-	-	-	8021	123	3 0 3	8181	126	2 0 2	7358	113	3 0 1	-	2065mA	2065mA	2065mA	65w
	4000K	70	-	-	-	7764	119	3 0 3	7919	122	2 0 2	7122	110	3 0 1	-	2065mA	2065mA	2065mA	65w
80W	2700K	70	-	-	-	9007	114	3 0 3	9186	116	3 0 3	8321	104	3 0 2	-	2505mA	2505mA	2505mA	80w
	3000K	70	-	-	-	8747	110	3 0 3	8921	112	3 0 3	8081	101	3 0 2	-	2505mA	2505mA	2505mA	80w
	3500K	70	-	-	-	9792	123	3 0 3	9986	126	3 0 3	9046	113	3 0 2	-	2505mA	2505mA	2505mA	80w
	4000K	70	-	-	-	9478	119	3 0 3	9666	122	3 0 3	8758	110	3 0 2	-	2505mA	2505mA	2505mA	80w

Project: \_\_\_\_\_  
 Fixture Type: \_\_\_\_\_ Quantity: \_\_\_\_\_  
 Customer: \_\_\_\_\_

HIGH-LOW MOTION SENSOR
• 0-10v configurable output set to 10%, 25% or 50% dimming
• Adjustable time delay
• 45° Detection
• Mounts Integral to fixture
• Lens available in white only
• Satisfies California Title 24

SURGE SUPPRESSION
• A Surge Protection Device (SPD) is standard featuring a 20kA maximum discharge current 8/20µs Waveform (Imax); 10kA nominal discharge current 8/20µs Waveform (In) and thermally protected varistor technology.
• Meets IEEE C62.41.2 Location Category C High and US Dept of Energy MSSLC Model Spec.
• SPD shall be wired in series and will result in an open circuit during a fault state, resulting in the luminaire to turn off to protect system components thereby indicating SPD module replacement.

WARRANTY
See <a href="http://www.ANPlighting.com">www.ANPlighting.com</a> for complete fixture warranty.
LED warranty information
• 7 year limited warranty* on Platform LED engines
• 5 year limited warranty* on Light Guide engines
• 5 year limited warranty* on LED Drivers
*Limited Warranty: A typical year is defined as 4380 hours of operation. Failed defined as more than 10% of the total platform LED's not operating.

**ACCESSORIES**

 HSS90 & HSS120	 4ST36	 PEND-CH3	 EMG-LED20HV	 HLMSPC-06 & HLMSPC-10	 PA-BF
 PA-BFS	 PC	 TLPC	 TL5 & TL7		

Project: \_\_\_\_\_  
 Fixture Type: \_\_\_\_\_ Quantity: \_\_\_\_\_  
 Customer: \_\_\_\_\_

**POST MOUNTS** | See Post Arm Section on Website for Specification Sheets and additional post arms.



**PA0413** 28" x 38 3/8"



**PA1613** 26 1/2" x 55 1/8"



**PA1753** 26 1/8" x 36 3/4"



**PA2023** 21 1/4" x 16"



**PA2313** 24" x 28 1/2"



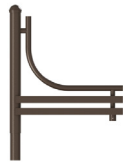
**PA2613** 39 1/2" x 46"



**PA3113** 25" x 15 1/4"



**PA3213** 21 7/8" x 26 1/8"



**PA3533** 29" x 38 1/2"



**PA5153** 14 1/4" x 19 3/4"



**PA6213** 22 3/4" x 26 1/2"



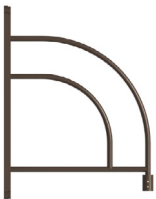
**PA8453** 70" x 37 1/2"

**COLUMN MOUNT**



**CM** 5 3/4" SQ x 3 1/2" H

**WALL MOUNTS** | See Wall Mount Section on Website for Specification Sheets and additional wall mount arms.



**WM0413** 26 1/2" x 38 5/8"



**WM1613** 28 3/8" x 57"



**WM1763** 28 3/4" x 42"



**WM1773** 20" x 30"



**WM2313** 23" x 31 7/8"



**WM3003** 11" x 8 7/8"



**WM3203** 18" x 24"



**WM3553** 28 1/4" x 36 1/2"



**WM4513** 17" x 8"



**WM5143** 14 3/4" X 16 1/2"



**WM5163** 15 3/4" x 13 3/4"



**WM5603** 17 7/8" x 14"