

Project Name: \_\_\_\_\_

Fixture Type: \_\_\_\_\_ Quantity: \_\_\_\_\_

Customer: \_\_\_\_\_

**Specifications**

**Material:**  
All parts are durable 356 cast aluminum and heavy duty spun aluminum.  
All hardware provided shall be stainless steel or zinc plated steel.

**Lens:**  
Light Guide LED Panels feature a high transparency, dot matrix PMMA light guide with an optical efficiency up to 76%.

**Fixture Mounting:**  
**Post Top:** Standard Flush Mount Adapter System mounts to pole (0.120" - 0.188" wall) with no visible hardware.  
Tenon mount for 3" or 4" poles is optional. See page 3 for fixture to pole transition.

**Wall Mount:** Tenon mount attached with six (6) 5/16-18 set screws.

**Drivers:**  
Universal voltage 120-277 is standard. 0-10v dimming is standard.

See page 2 for LED engine and driver specifications.

**Electrical:**  
20kA max/10kA nominal surge protection device is standard.

**Certifications:**  
UL Listed for outdoor, wet location. Luminaire is IP65, LED is IP66.

**Finish:**  
A polyester powder coat high quality finish.

Marine grade finish is also available.

**Modifications:**  
Consult factory for custom or modified designs.



**EQ111  
LED**

Weight: 17.1 lbs

EPA: 0.53

Catalog Logic

EQ111 | 1 | E039LDS | T5 | 40K | - | WM | - | WM1211 | - | PC | - | 72

Luminaire Series | Post Mount | Light Source & Wattage | Optics | CCT | Fitter Mounting | Optional Mounting Source | Accessories | Finish

Catalog Number

EQ111 | 1 | | | | | | | |

**1 FIXTURE ORIENTATION**

1 Post

See page 3 for fixture to pole transition.

**2 LIGHT SOURCE & WATTAGES**

E030LDS (30w Small Light Guide LED)

E039LDS (39w Small Light Guide LED)

E046LDS (46w Small Light Guide LED)

**3 OPTICS**

T2 (Type II)

T3 (Type III)

T4 (Type IV)

T5 (Type V)

**4 COLOR TEMPERATURE (CCT)**

27K (2700K)

30K (3000K)

35K (3500K)

40K (4000K)

**5 FITTER MOUNTING (Must Select One)**  
See page 4 for fixture to pole transition

FM3 (Flush mount adapter system for 3" OD Pole)

FM4 (Flush mount adapter system for 4" OD Pole)

TN3 (Tenon Mount for 3" OD Pole or Post Arms)

TN4 (Tenon Mount for 4" OD Pole or Post Arms)

WM (Wall Mount Fitter)

**6 OPTIONAL POST/WALL MOUNTS**

Post Mount Arms  
\*See Page 3 for Style/Size

PA1211 (Select TN3 in Box 7)

PA1221 (Select TN3 in Box 7)

Wall Mount Arms  
\*See Page 3 for Style/Size

WM1211 (Select WM in Box 7)

WM1221 (Select WM in Box 7)

**7 ACCESSORIES\***

\*\*HSS150-1 (150° House Side Shield)

\*\*\*HLMSPC-FM (Integral high-low motion sensor plus photocell)

\*\*\*HLMSPC-06 (On/Off Motion Sensor/Photocell; 15' - 30' Sensor Mounting Height)

\*\*\*HLMSPC-10 (On/Off Motion Sensor/Photocell; 8' - 15' Sensor Mounting Height)

PC (Button Photo Cell)

TLPC (Twist Lock photo cell & receptacle)

TL5 (5-pin Twist Lock receptacle only)

TL7 (7-pin Twist Lock receptacle only)

\*See page 3 for photo.

\*\*Accessory finish will match fixture finish.

\*\*\*See Page 2 for Spec Details

**8 FINISHES**

\*Premium and Marine Grade Finish have additional charges

Standard Colors	Standard Grade	Marine Grade*	Standard Colors	Standard Grade	Marine Grade*
Aspen Green	10	10M	Architectural Bronze	51	51M
Cantaloupe	11	11M	Patina Verde	52	52M
Lilac	12	12M	Copper Clay	53	53M
Putty	13	13M	Silver	56	56M
Raw Unfinished	40	NA	Black Verde	61	61M
Black	41	41M	Painted Chrome	70	70M
Forest Green	42	42M	Painted Copper	71	71M
Bright Red	43	43M	Textured Black	72	72M
White	44	44M	Matte Black	73	73M
Bright Blue	45	45M	Textured Architectural Bronze	76	76M
Sunny Yellow	46	46M	Textured White	77	77M
Aqua Green	47	47M	Textured Silver	78	78M
Galvanized	49	NA	<b>PREMIUM FINISH</b>	Premium Grade*	Marine Grade*
Navy	50	50M	Carbon Graphite	96	96M

\*Consult Factory for additional paint charges and availability.

Project Name: \_\_\_\_\_

Fixture Type: \_\_\_\_\_ Quantity: \_\_\_\_\_

Customer: \_\_\_\_\_

**LED PERFORMANCE**

**LIGHT GUIDE SMALL**

System Wattage (Nominal)	CCT	CRI	Type II					Type III					Type IV					Type V				
			Delivered Lumens	Lumens Per Watt	B	U	G	Delivered Lumens	Lumens Per Watt	B	U	G	Delivered Lumens	Lumens Per Watt	B	U	G	Delivered Lumens	Lumens Per Watt	B	U	G
30W	2700K	70	2966	99	1	0	1	3143	105	1	0	1	3346	112	1	0	1	3027	101	2	0	2
	3000K	70	3064	102	1	0	1	3247	108	1	0	1	3457	115	1	0	1	3127	104	2	0	2
	3500K	70	3113	104	1	0	1	3299	110	1	0	1	3512	117	1	0	1	3177	106	2	0	2
	4000K	70	3211	107	1	0	1	3403	113	1	0	1	3623	121	1	0	1	3277	109	2	0	2
39W	2700K	70	3855	99	2	0	2	4086	105	2	0	2	4350	112	2	0	2	3934	101	2	0	2
	3000K	70	3983	102	2	0	2	4221	108	2	0	2	4494	115	2	0	2	4065	104	2	0	2
	3500K	70	4047	104	2	0	2	4289	110	2	0	2	4566	117	2	0	2	4130	106	2	0	2
	4000K	70	4174	107	2	0	2	4424	113	2	0	2	4710	121	2	0	2	4260	109	2	0	2
46W	2700K	70	4513	98	2	0	2	4808	105	2	0	2	5177	113	2	0	2	4677	102	3	0	3
	3000K	70	4662	101	2	0	2	4967	108	2	0	2	5348	115	2	0	2	4832	104	3	0	3
	3500K	70	4737	103	2	0	2	5047	110	2	0	2	5433	118	2	0	2	4909	107	3	0	3
	4000K	70	4886	107	2	0	2	5206	113	2	0	2	5604	122	2	0	2	5064	110	3	0	3

**LED SPECIFICATION**

- Typical Efficacy is 98 - 122 lumens per watt
- Color temp: 2700K, 3000K, 3500K and 4000K
- CRI: 70
- Distribution: Type II, III, IV & V

**DRIVER SPECIFICATION**

- 120 thru 277 Universal Voltage
- 50/60 HZ
- 0-10V dimming to 10%
- Minimum operating temperature: -30°C
- Drive Current: 900mA to 2505mA (model dependent)
- Driver Efficiency > 80%; Power Factor > 0.90
- Lifetime: 50,000 hours
- Integral Surge Protection in conformance to IP64
- UL, cUL, CE

**MOTION SENSOR**

- 0-10v configurable output set to 10%, 25% or 50% dimming
- Adjustable time delay
- 45° Detection
- Mounts Integral to fixture
- Lens available in white only
- Satisfies California Title 24

**SURGE SUPPRESSION**

- A Surge Protection Device (SPD) is standard featuring a 20kA maximum discharge current 8/20µs Waveform (Imax); 10kA nominal discharge current 8/20µs Waveform (In) and thermally protected varistor technology.
- Meets IEEE C62.41.2 Location Category C High and US Dept of Energy MSSLC Model Spec.
- SPD shall be wired in series and will result in an open circuit during a fault state, resulting in the luminaire to turn off to protect system components thereby indicating SPD module replacement.

**FINISHES**

- A polyester powder coat high quality finish is electro-statically applied and baked at 430° for exceptional durability and color retention. Products undergo an intensive five-step cleansing and pretreatment process for maximum paint adhesion.
- Marine grade finish provides superior salt, humidity and UV protection. This coating withstands up to 3000 hours of continuous salt spray, comes with a 5-year warranty and is available in either a textured or gloss surface.

**WARRANTY**

See [www.ANPlighting.com](http://www.ANPlighting.com) for complete fixture warranty.

**LED warranty information**

- 5 year limited warranty\* on Light Guide engines
- 5 year limited warranty\* on LED Drivers

\*Limited Warranty: A typical year is defined as 4380 hours of operation. Failed defined as more than 10% of the total platform LED's not operating.

Project Name: \_\_\_\_\_

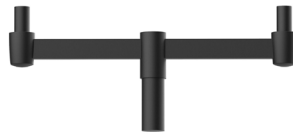
Fixture Type: \_\_\_\_\_ Quantity: \_\_\_\_\_

Customer: \_\_\_\_\_

**POST MOUNTS** - See Post Mount Section on Website for Specification Sheets and additional post mount arms.  
Dimensions are Projection x Height.

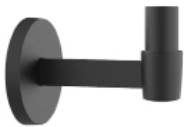


PA1211 / 36" x 7"



PA1221 / 40" x 7"

**WALL MOUNTS** - See Wall Mount Section on Website for Specification Sheets and additional wall mount arms.  
Dimensions are Projection x Height.



WM1211 / 10 3/8" x 8"



WM1221 / 10 3/8" x 9 1/4"

**ACCESSORIES**



HSS150-1



HSS150-FI1  
(field installable)



HLMSPC-FM



HLMSPC-06 & HLMSPC-10



PC



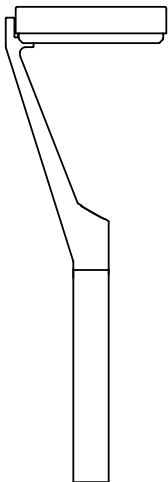
TLPC



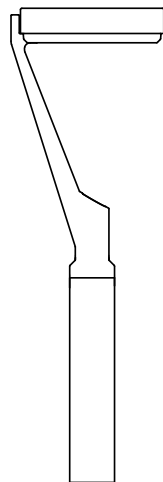
TL5 & TL7

**FIXTURE TO POLE TRANSITION WITH FLUSH MOUNT ADAPTER**

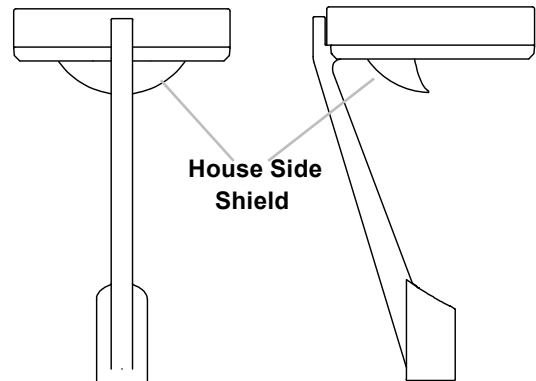
**FIELD INSTALLABLE HOUSE SIDE SHIELD**



3" POLE



4" POLE



House Side Shield

Project Name: \_\_\_\_\_

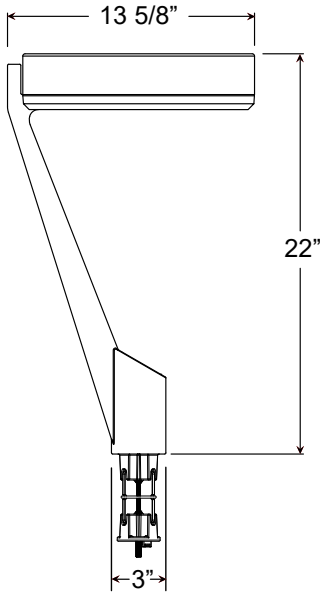
Fixture Type: \_\_\_\_\_ Quantity: \_\_\_\_\_

Customer: \_\_\_\_\_

**POST TOP CONFIGURATIONS**

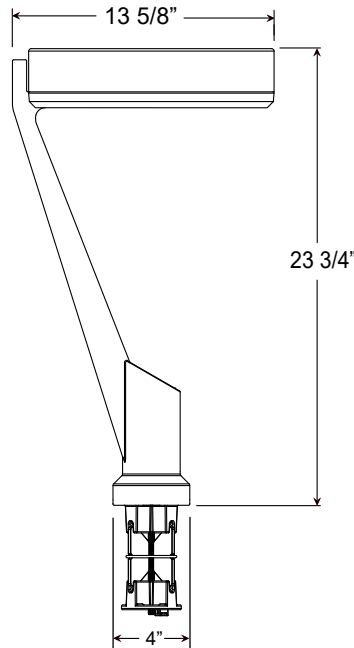
**FM3**

FLUSH MOUNT ADAPTER  
Mounts to 3" OD Pole



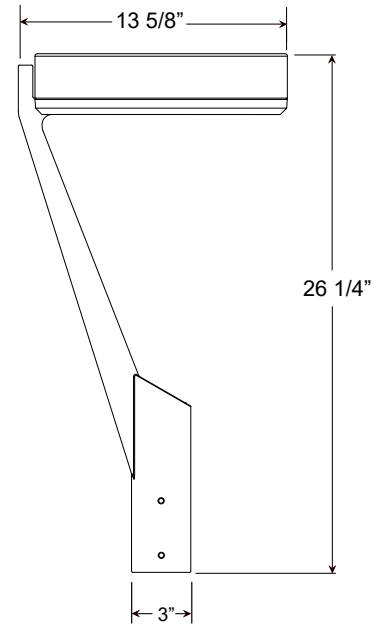
**FM4**

FLUSH MOUNT ADAPTER  
Mounts to 4" OD Pole



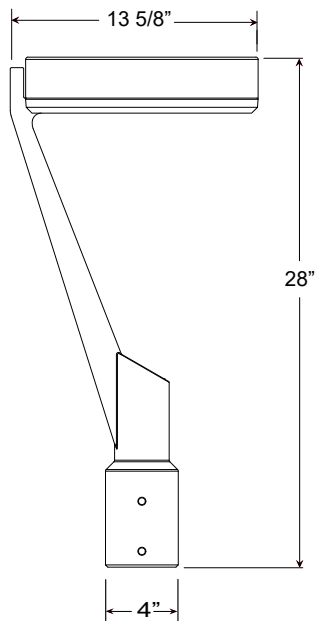
**TN3**

TENON MOUNT  
Mounts to 3" OD Pole Provided  
With 2 3/8" x 4" H Tenon



**TN4**

TENON MOUNT  
Mounts to 4" OD Pole Provided  
With 2 3/8" x 4" H Tenon



**WM**

WALL MOUNT  
Mounts to Wall Mount Arm Provided  
with 2 3/8" x 3 1/4" H Tenon

