

Project: \_\_\_\_\_

Fixture Type: \_\_\_\_\_ Quantity: \_\_\_\_\_

Customer: \_\_\_\_\_



**illuminating**  
ENGINEERING SOCIETY

**Weight:** 22.5 lbs

**EPA:** 1.08

**Specifications**

**General:**  
Due to size or weight, arms mounts may not accommodate all ANP luminaires.

**Material:**  
All parts are durable 356 cast aluminum and high strength extruded aluminum. All hardware provided shall be stainless steel or zinc plated steel.

**Fixture Mounting:**  
Pin mount to tenon.

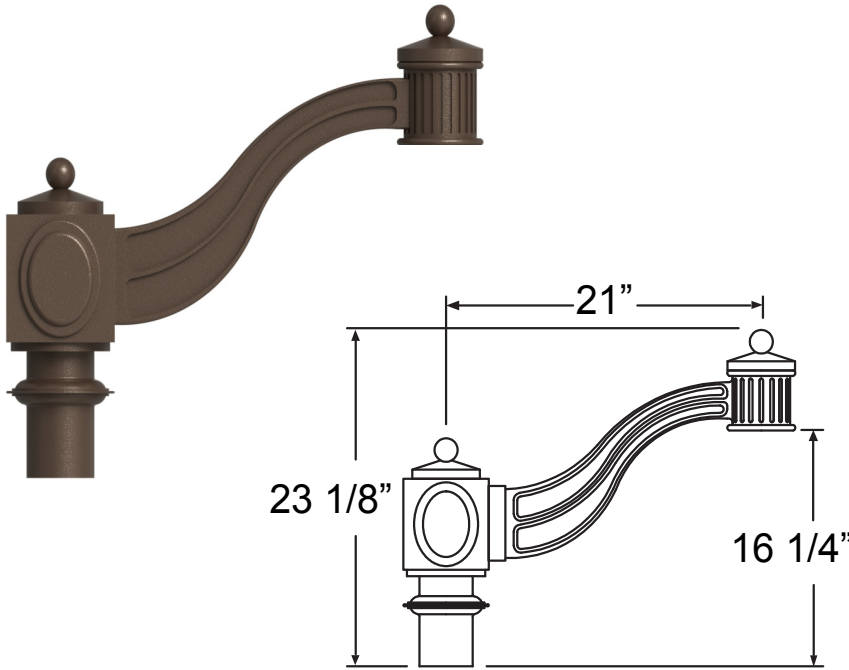
**Post Arm Mounting:**  
Slip tenon to accommodate 3", 4" and 5" pole. Pole section of arm matches pole diameter and style.

**Electrical:**  
Pull wire provided.

**Finish:**  
A polyester powder coat high quality finish is electro-statically applied and baked at 430° for exceptional durability and color retention. Products undergo an intensive five-step cleansing and pretreatment process for maximum paint adhesion.

Marine grade finish provides superior salt, humidity and UV protection. This coating withstands up to 3000 hours of continuous salt spray, comes with a 5-year warranty and is available in either a textured or gloss surface.

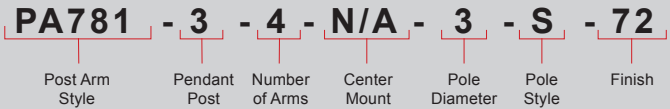
**Modifications:**  
Consult factory for custom or modified designs.



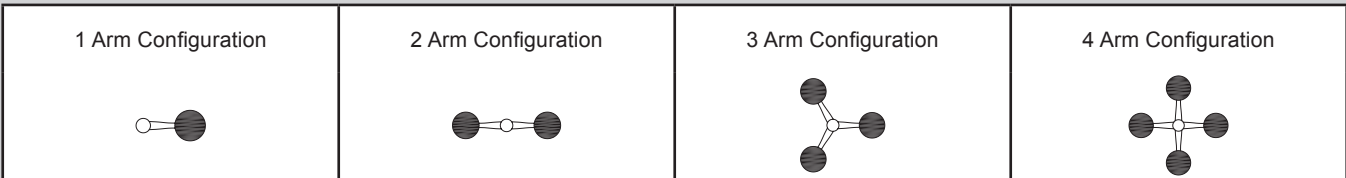
**PA781 - POST ARM**

Cast aluminum post arm for pendant fixture.

**Catalog Logic**



**Catalog Number**



<p><b>1 POST ARM ORIENTATION</b></p> <p>3 - Pendant</p>	<p><b>3 CENTER MOUNT OPTIONS</b></p> <p>N/A</p>	<p><b>6 FINISHES</b></p> <table border="1"> <thead> <tr> <th>Standard Grade</th> <th>Marine Grade</th> <th>Standard Grade</th> <th>Marine Grade</th> </tr> </thead> <tbody> <tr><td>40</td><td>NA Raw Unfinished</td><td>53</td><td>100 Copper Clay</td></tr> <tr><td>41</td><td>101 Black</td><td>56</td><td>109 Silver</td></tr> <tr><td>42</td><td>102 Forest Green</td><td>61</td><td>106 Black Verde</td></tr> <tr><td>43</td><td>114 Bright Red</td><td>70</td><td>118 Painted Chrome</td></tr> <tr><td>44</td><td>107 White</td><td>71</td><td>105 Painted Copper</td></tr> <tr><td>45</td><td>112 Bright Blue</td><td>72</td><td>108 Textured Black</td></tr> <tr><td>46</td><td>123 Sunny Yellow</td><td>73</td><td>125 Matte Black</td></tr> <tr><td>47</td><td>120 Aqua Green</td><td>76</td><td>121 Textured Architectural Bronze</td></tr> <tr><td>49</td><td>NA Galvanized</td><td>77</td><td>127 Textured White</td></tr> <tr><td>50</td><td>111 Navy</td><td>78</td><td>124 Textured Silver</td></tr> <tr><td>51</td><td>103 Architectural Bronze</td><td>10</td><td>130 Aspen Green</td></tr> <tr><td>52</td><td>104 Patina Verde</td><td>11</td><td>131 Cantaloupe</td></tr> <tr><td>12</td><td>133 Lilac</td><td>13</td><td>132 Putty</td></tr> </tbody> </table>		Standard Grade	Marine Grade	Standard Grade	Marine Grade	40	NA Raw Unfinished	53	100 Copper Clay	41	101 Black	56	109 Silver	42	102 Forest Green	61	106 Black Verde	43	114 Bright Red	70	118 Painted Chrome	44	107 White	71	105 Painted Copper	45	112 Bright Blue	72	108 Textured Black	46	123 Sunny Yellow	73	125 Matte Black	47	120 Aqua Green	76	121 Textured Architectural Bronze	49	NA Galvanized	77	127 Textured White	50	111 Navy	78	124 Textured Silver	51	103 Architectural Bronze	10	130 Aspen Green	52	104 Patina Verde	11	131 Cantaloupe	12	133 Lilac	13	132 Putty
Standard Grade	Marine Grade	Standard Grade	Marine Grade																																																								
40	NA Raw Unfinished	53	100 Copper Clay																																																								
41	101 Black	56	109 Silver																																																								
42	102 Forest Green	61	106 Black Verde																																																								
43	114 Bright Red	70	118 Painted Chrome																																																								
44	107 White	71	105 Painted Copper																																																								
45	112 Bright Blue	72	108 Textured Black																																																								
46	123 Sunny Yellow	73	125 Matte Black																																																								
47	120 Aqua Green	76	121 Textured Architectural Bronze																																																								
49	NA Galvanized	77	127 Textured White																																																								
50	111 Navy	78	124 Textured Silver																																																								
51	103 Architectural Bronze	10	130 Aspen Green																																																								
52	104 Patina Verde	11	131 Cantaloupe																																																								
12	133 Lilac	13	132 Putty																																																								
<p><b>2 NUMBER OF ARMS</b></p> <p>1 - One Arm Configuration</p> <p>2 - Two Arm Configuration</p> <p>3 - Three Arm Configuration</p> <p>4 - Four Arm Configuration</p>	<p><b>4 POLE DIAMETER</b></p> <p>3 - 3 Inch</p> <p>4 - 4 Inch</p> <p>5 - 5 Inch</p>	<p><b>5 POLE STYLE</b></p> <p>S - Smooth</p> <p>F - Fluted</p>																																																									